

Code	Description	Notes
001_3_12676	BODYGUARD	
001_4_12698	BODYGUARD	
002_0_12722	SELF-VENTILATING CONE CLUTCH	
002_1_12741	SELF-VENTILATING CONE CLUTCH	
002_2_12761	SELF-VENTILATING CONE CLUTCH	
002_3_12779	SELF-VENTILATING CONE CLUTCH	
003_0_12805	GEARBOX	
003_1_12834	GEARBOX (500-520/30-530S/S2)	
003_2_12864	GEARBOX (500-520-530)	
004_0_12893	GEARS	
004_1_12930	GEARS	Version: MF 530, MF 500, MF 520
004_2_12967	GEARS (500-520/30-530S/S2)	
005_0_13006	WHEEL AXLE	
005_1_13022	WHEEL AXLE	
005_2_13039	WHEEL AXLE	
007_0_13116	STEERING COLUMN	
007_1_13140	STEERING COLUMN	Version: MF 520, MF 530
007_2_13157	STEERING COLUMN	Version: MF 530, MF 520, MF 500
007_3_13177	STEERING COLUMN (500/10/20/30-530S/S2)	
008_0_13197	HANDLEBAR	
008_1_13255	HANDLEBAR	Version: MF 520, MF 530, MF 500
008_2_13308	HANDLEBAR	
008_3_13362	HANDLEBAR (500-510-520-530)	
008_4_13416	HANDLEBAR (500-510-520-530)	
009_0_13470	CONTROLS	
009_1_13502	CONTROLS	Version: MF 500, MF 520, MF 530
009_2_13534	CONTROLS (500-510-520-530)	Version: MF 510, MF 530, MF 520, MF 500
009_3_13564	CONTROLS(500/10/20/30-530S/S2)	
009_4_13594	CONTROLS(500/10/20-530-530S2)	
011_3_13744	WHEELS	
012_0_13785	STICKERS	
012_1_13807	STICKERS	
012_2_13824	STICKERS	
013_0_13845	STICKERS	

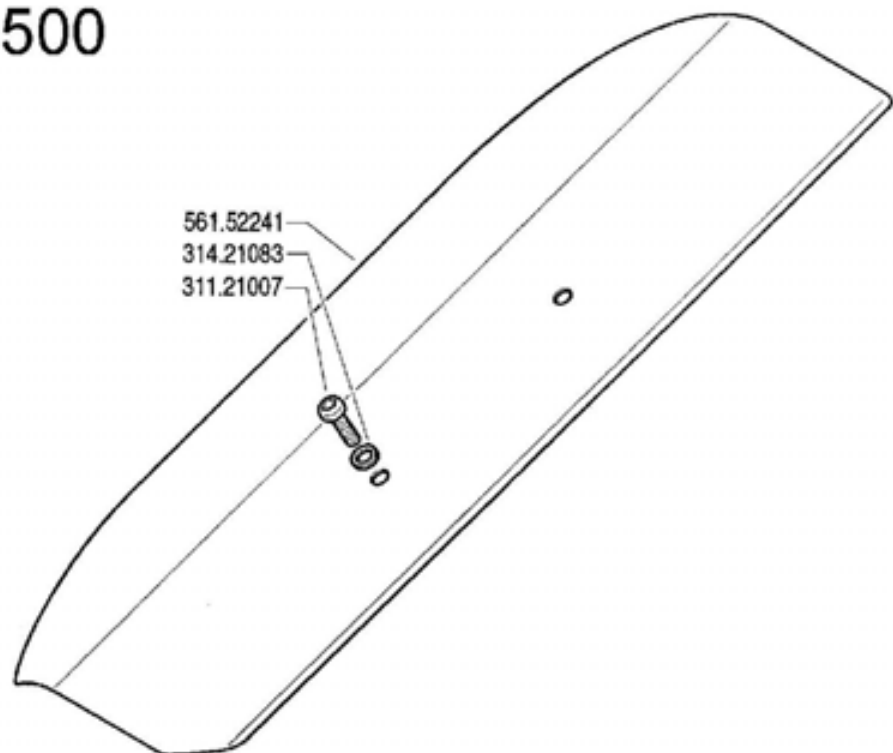
---

**Motor mower 520**

<b>Code</b>	<b>Description</b>	<b>Notes</b>
013_1_13860	STICKERS	
001_1_12621	BODYGUARD	Version: MF 530, MF 520
001_2_12649	BODYGUARD	Version: MF 510, MF 530, MF 520, MF 500

500

561.52241  
314.21083  
311.21007



510 - 520 - 530

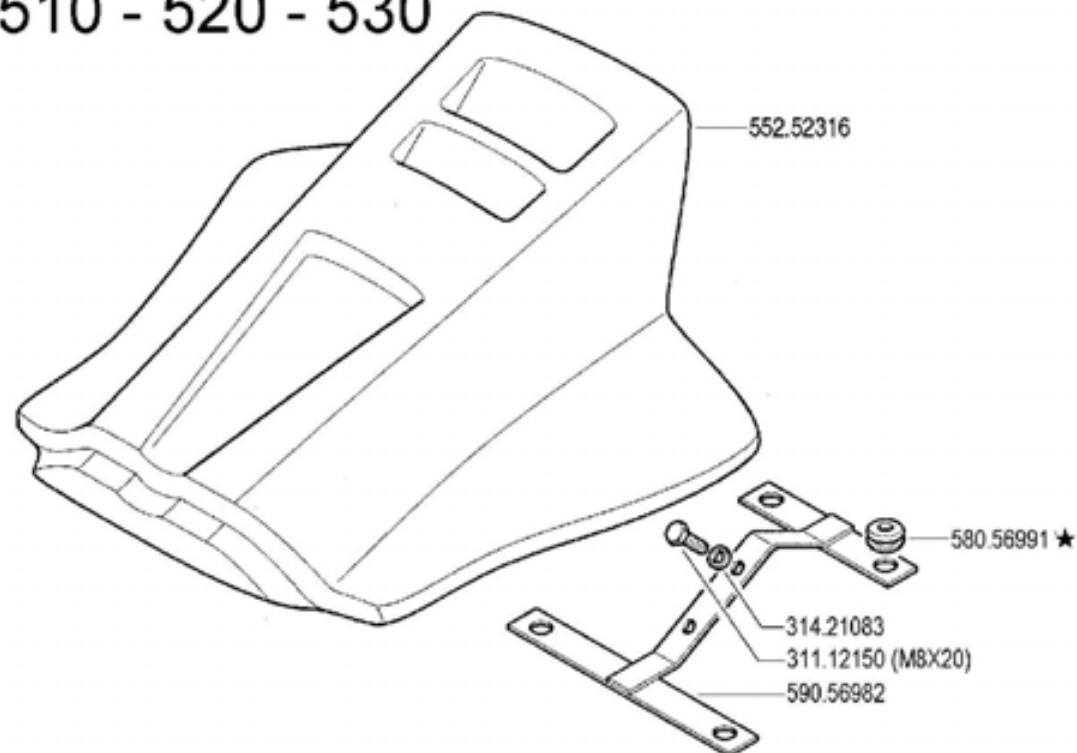
552.52316

580.56991 ★

314.21083

311.12150 (M8x20)

590.56982

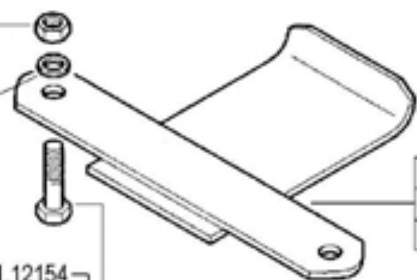


(15 LD 315 / 350) 312.41100

312.41080

(15 LD 315 / 350) 314.11104

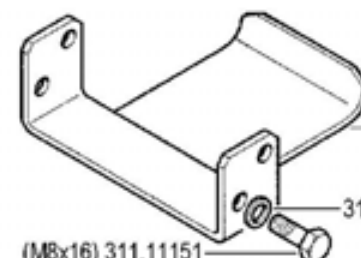
314.11084



590.47454 (ACT 280 / 340)  
590.56051 (15 LD 315 / 350)  
590.56089 (HONDA G150 - Gx160 - Gx200) ★  
590.56111 (Yanmar L100 AE) ★

(M8x40) 311.12154

(15 LD 315 / 350) (M10x40) 311.12213



590.47927 (A 220)

590.47450 (ALN 330)  
(IM 359)  
(AT 330)

314.23084

(M8x16) 311.11151

**FERRARI**

500 serie 95

CARROZZERIA

BODY  
CARROCERIA

CARROSSERIE  
KAROSSERIE

DALLA MACCHINA  
DE LA MAGINA  
DE LA MACHINE  
FROM THE MACHINE  
AB DER MASCHINE

AGGIORNAMENTO

REVISION

MISE A JOUR

APLAZAMIENTO

ANPASSUNG

01 03

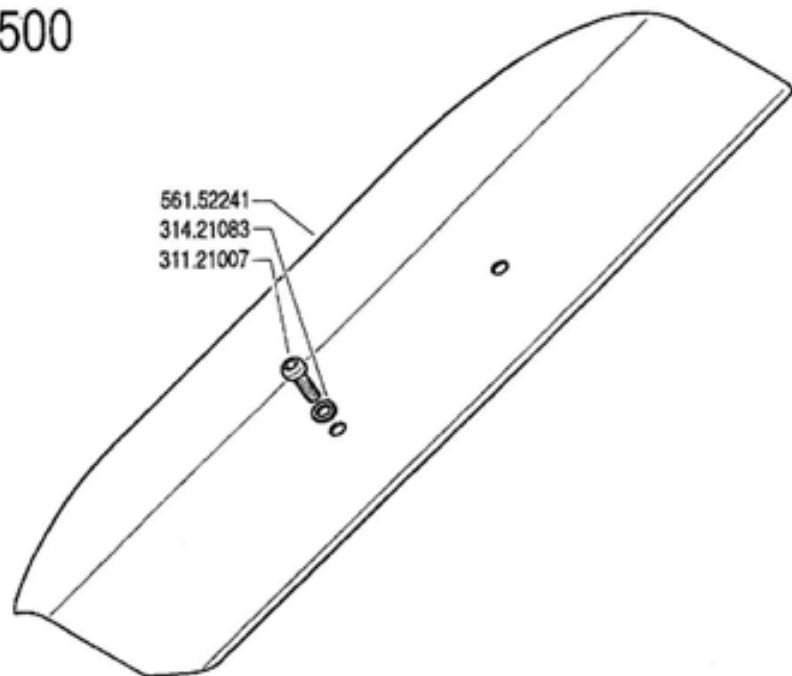
1/2000

★N.

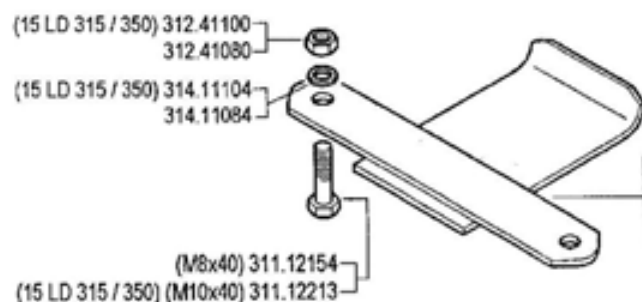
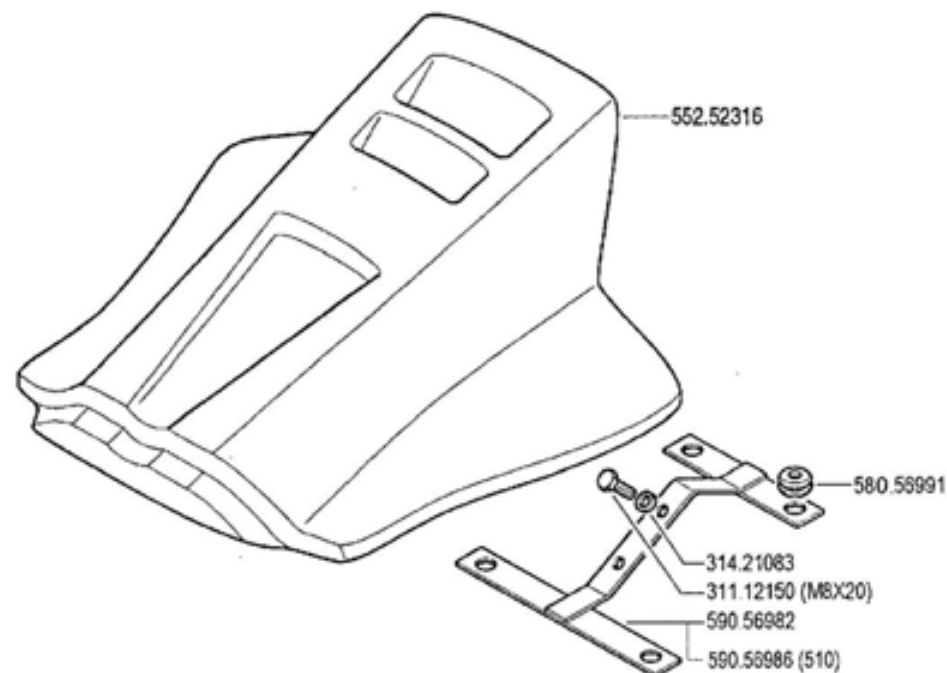
ZEIN

Pos.	Code	Q.ty	Description	Notes
31111151	31111151	0	SCREW TE M8X16 UNI 5739 8G	
31112150	31112150	0	SCREW TE M8X20 UNI 5739 8G	
31112154	31112154	0	SCREW TE M8X40 UNI 5739 8G	
31112213	31112213	0	SCREW TE M10X40 UNI 5739	
31121007	31121007	0	SCREW BCEI M8X20 ISO7380	
31241080	31241080	0	SELFLOCK NUT M8	
31241100	31241100	0	SELFLOCK NUT M10 6S	
31411084	31411084	0	WASHER 8,4x17	
31411104	31411104	0	WASHER 10,5x18	
31421083	31421083	0	WASHER	
31423084	31423084	0	SPRING WASHER 8,4	
55252316	55252316	0	BODYWORK	
56152241	56152241	0	CARROZZERIA MF LAT./97 *V*	
58056991	58056991	0	CABLE GLAND	
59047450	59047450	0	SHIELD	
59047454	59047454	0	SHIELD	
59047927	59047927	0	SHIELD	
59056051	59056051	0	SHIELD	
59056089	59056089	0	SHIELD	
59056111	59056111	0	SHIELD	
59056982	59056982	0	HOLDER	

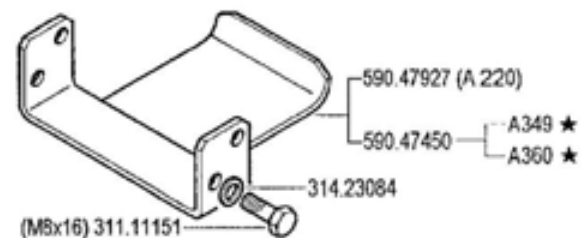
500



510 - 520 - 530 - 530S ★ - 530S2 ★



- 561.56118 ★ (ACT 280 / 340)
- 590.56051 (15 LD 315 / 350)
- 590.56089 (HONDA Gx120 ★ - Gx160 - Gx200)
- 590.56111 (Yanmar L100 AE)



**FERRARI**

**500** serie **95**

BODY  
CARROCERIA

**CARROZZERIA**

CARROSSERIE  
KAROSSERIE

DALLA MACCHINA  
DE LA MAQUINA  
DE LA MACHINE  
FROM THE MACHINE  
AB DER MASCHINE

★N.

AGGIORNAMENTO  
REVISION  
MISE A JOUR  
APLAZAMIENTO  
ANPASSUNG

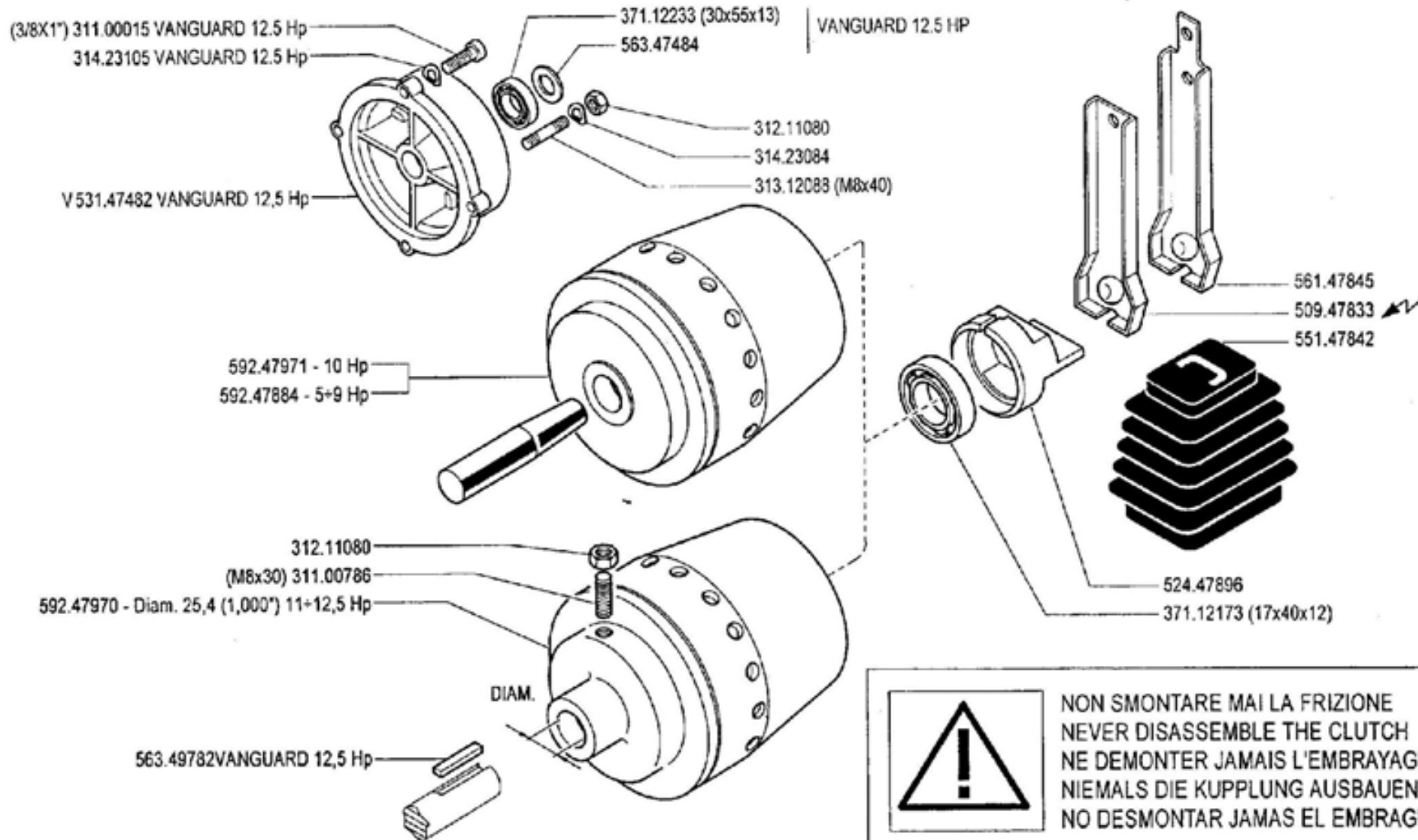
**01**


Rev. **4**

**10/2001**

ZUCCHETTI

Pos.	Code	Q.ty	Description	Notes
31111151	31111151	0	SCREW TE M8X16 UNI 5739 8G	
31112150	31112150	0	SCREW TE M8X20 UNI 5739 8G	
31112154	31112154	0	SCREW TE M8X40 UNI 5739 8G	
31112213	31112213	0	SCREW TE M10X40 UNI 5739	
31121007	31121007	0	SCREW BCEI M8X20 ISO7380	
31241080	31241080	0	SELFLOCK NUT M8	
31241100	31241100	0	SELFLOCK NUT M10 6S	
31411084	31411084	0	WASHER 8,4x17	
31411104	31411104	0	WASHER 10,5x18	
31421083	31421083	0	WASHER	
31423084	31423084	0	SPRING WASHER 8,4	
55252316	55252316	0	BODYWORK	
56152241	56152241	0	CARROZZERIA MF LAT./97 *V*	
56156119	56156119	0	SHIELD	
58056991	58056991	0	CABLE GLAND	
58057385	58057385	0	LINE	
59047450	59047450	0	SHIELD	
59047927	59047927	0	SHIELD	
59056051	59056051	0	SHIELD	
59056089	59056089	0	SHIELD	
59056111	59056111	0	SHIELD	
59056982	59056982	0	HOLDER	
59056986	59056986	0	HOLDER	




 NON SMONTARE MAI LA FRIZIONE  
 NEVER DISASSEMBLE THE CLUTCH  
 NE DEMONTER JAMAIS L'EMBRAYAGE  
 NIEMALS DIE KUPPLUNG AUSBAUEN  
 NO DESMONTAR JAMAS EL EMBRAGUE

V = verde - vert - green - grün

**FERRARI**

**500** serie **95**

FRIZIONE A CONO AUTOVENTILANTE

EMBRAGUE  
EMBRAYAGE

CLUTCH  
KUPPLUNG

DALLA MACCHINA  
 DE LA MAQUINA  
 DE LA MACHINE  
 FROM THE MACHINE  
 AB DER MASCHINE

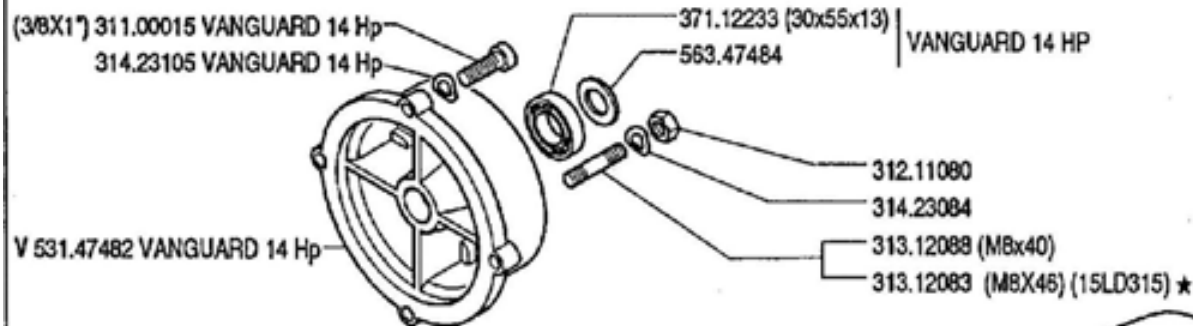
N.

**02.00**

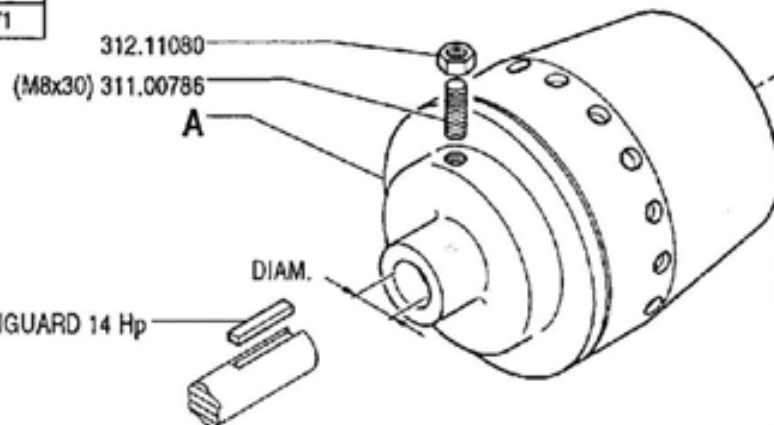
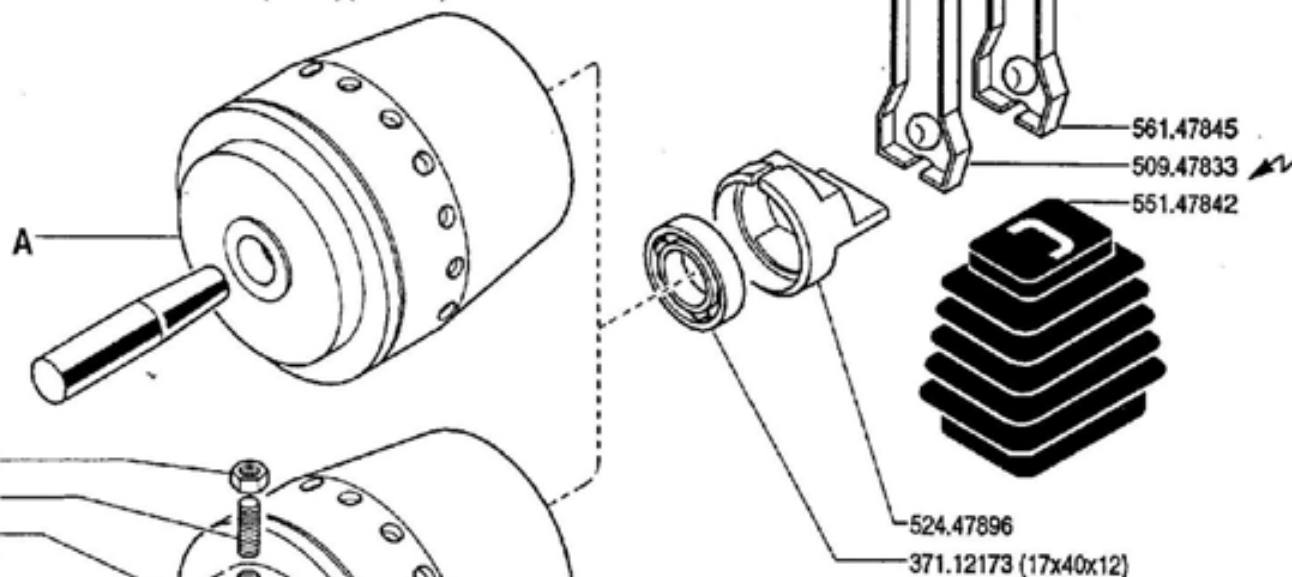
01.06.1995

Pos.	Code	Q.ty	Description	Notes
31100015	31100015	0	SCREW TE 3/8X1	
31100786	31100786	0	SCREW STEI M8X30 UNI5923 8G	
31211080	31211080	0	NUT M8	
31312088	31312088	0	STUD BOLT M8X40X14X14	
31423084	31423084	0	SPRING WASHER 8,4	
31423105	31423105	0	SPRING WASHER 10,5	
37112173	37112173	0	BEARING	
37112233	37112233	0	BEARING	
50947833	50947833	0	CLUTCH LEVER	
52447896	52447896	0	PRESSURE PLATE	
53147482	53147482	0	ENGINE FLANGE	
55147842	55147842	0	BELLOWS	
56147845	56147845	0	CLUTCH LEVER	
56347484	56347484	0	SHIM	
56349782	56349782	0	DOWEL	
59247884	59247884	0	CLUTCH ASSY	
59247970	59247970	0	CLUTCH	
59247971	59247971	0	CLUTCH	





MOTORE ENGINE MOTEUR MOTOR	A	FRIZIONE EMBRAGUE EMBRAYAGE KUPPLUNG CLUTCH
Acme A220		592.47884
Acme ALN 330W		592.47884
Acme AT 330W		592.47971
Intermotor IM 359		592.47884
Briggs & Stratton Vanguard 14 Hp		592.47970
Lombardini 15 LD 315		592.47884
Lombardini 6 LD 435/400		592.47971



NON SMONTARE MAI LA FRIZIONE  
NEVER DISASSEMBLE THE CLUTCH  
NE DEMONTER JAMAIS L'EMBRAYAGE  
NIEMALS DIE KUPPLUNG AUSBAUEN  
NO DESMONTAR JAMAS EL EMBRAGUE

V = verde - vert - green - grün

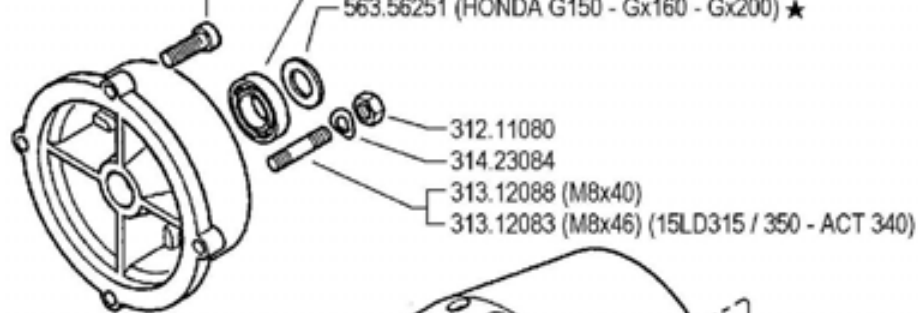
<b>FERRARI</b>	<b>500</b> serie <b>95</b>	<b>FRIZIONE A CONO AUTOVENTILANTE</b>		DALLA MACCHINA DE LA MACQUINA DE LA MACHINE FROM THE MACHINE AB DER MASCHINE	AGGIORNAMENTO	<b>02.01</b>
		EMBRAGUE	CLUTCH		REVISION	
		EMBRAYAGE	KUPPLUNG	★ N.	MISE A JOUR	
					APLAZAMIENTO	<b>02.09.1996</b>
					ANPASSUNG	

Pos.	Code	Q.ty	Description	Notes
31100015	31100015	0	SCREW TE 3/8X1	
31100786	31100786	0	SCREW STEI M8X30 UNI5923 8G	
31211080	31211080	0	NUT M8	
31312083	31312083	0	STUD BOLT M8X46X16X16	
31312088	31312088	0	STUD BOLT M8X40X14X14	
31423084	31423084	0	SPRING WASHER 8,4	
31423105	31423105	0	SPRING WASHER 10,5	
37112173	37112173	0	BEARING	
37112233	37112233	0	BEARING	
50947833	50947833	0	CLUTCH LEVER	
52447896	52447896	0	PRESSURE PLATE	
53147482	53147482	0	ENGINE FLANGE	
55147842	55147842	0	BELLOWS	
56147845	56147845	0	CLUTCH LEVER	
56347484	56347484	0	SHIM	
56349782	56349782	0	DOWEL	
59247884	59247884	0	CLUTCH ASSY	
59247970	59247970	0	CLUTCH	
59247971	59247971	0	CLUTCH	

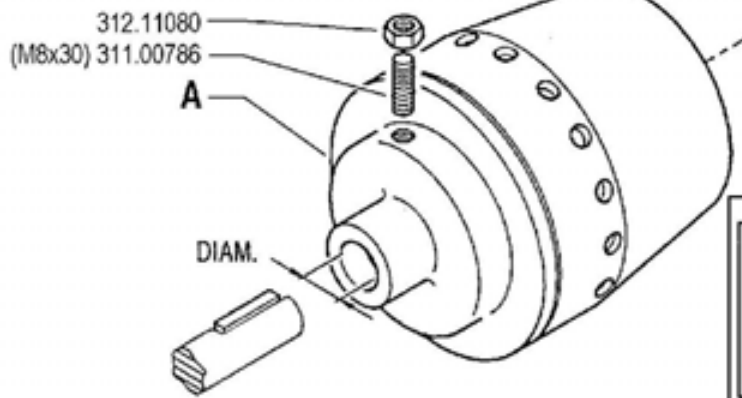
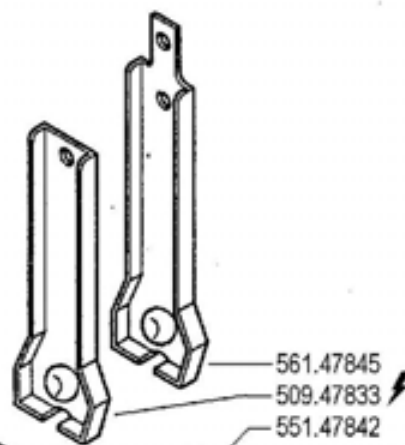
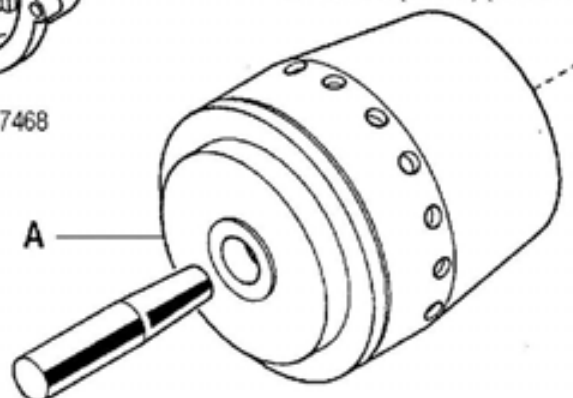
★ (HONDA G150 - Gx160 - Gx200) 311.00003

371.12231 (HONDA G150 - Gx160 - Gx200) ★

563.56251 (HONDA G150 - Gx160 - Gx200) ★



★ (HONDA G150 - Gx160 - Gx200) V 532.47468



MOTORE ENGINE MOTEUR MOTOR	A	FRIZIONE EMBRAGUE KUPPLUNG CLUTCH
Acme A 220		592.47884
Acme ALN 330W - ACT 280 ★		592.47884
Acme AT 330W - ACT 340 ★		592.47971
Honda G150 - Gx160 - Gx200 ★		592.56252
Intermotor IM 359		592.47884
Lombardini 15 LD 315 / 350		592.47884
Yanmar L100 AE ★		592.47971

**NON SMONTARE MAI LA FRIZIONE**  
**NEVER DISASSEMBLE THE CLUTCH**  
**NE DEMONTER JAMAIS L'EMBRAYAGE**  
**NIEIMALS DIE KUPPLUNG AUSBAUEN**  
**NO DESMONTAR JAMAS EL EMBRAGUE**

V = verde - green - vert - grün

<b>FERRARI</b>	<b>500</b> serie <b>95</b>	<b>FRIZIONE A CONO AUTOVENTILANTE</b>		DALLA MACCHINA DE LA MAGINA DE LA MACHINE FROM THE MACHINE AB DER MASCHINE	AGGIORNAMENTO	<b>02</b>	Vol. <b>02</b>
		CLUTCH EMBRAGUE	EMBRAYAGE KUPPLUNG		REVISION		
				★N.	APLAZAMENTO	<b>1/2000</b>	
					ANPASSUNG		

ZBANE

Pos.	Code	Q.ty	Description	Notes
31100003	31100003	0	SCREW TE 5/16X7/8	
31100786	31100786	0	SCREW STEI M8X30 UNI5923 8G	
31211080	31211080	0	NUT M8	
31312083	31312083	0	STUD BOLT M8X46X16X16	
31312088	31312088	0	STUD BOLT M8X40X14X14	
31423084	31423084	0	SPRING WASHER 8,4	
37112173	37112173	0	BEARING	
37112231	37112231	0	BEARING	
50947833	50947833	0	CLUTCH LEVER	
52447896	52447896	0	PRESSURE PLATE	
53247468	53247468	0	FLANGE	
55147842	55147842	0	BELLOWS	
56147845	56147845	0	CLUTCH LEVER	
56356251	56356251	0	SHIM D=19,6	
59247884	59247884	0	CLUTCH ASSY	
59247971	59247971	0	CLUTCH	
59256252	59256252	0	CLUTCH ASSY	

HONDA G150 - Gx 120/160/200 311.00003  
 HONDA Gx 340 ★ 311.00015

HONDA Gx 340 ★ 314.23105

371.12231 HONDA G150 - Gx 120/160/200  
 371.12233 (30x55x13) - HONDA Gx 340 ★

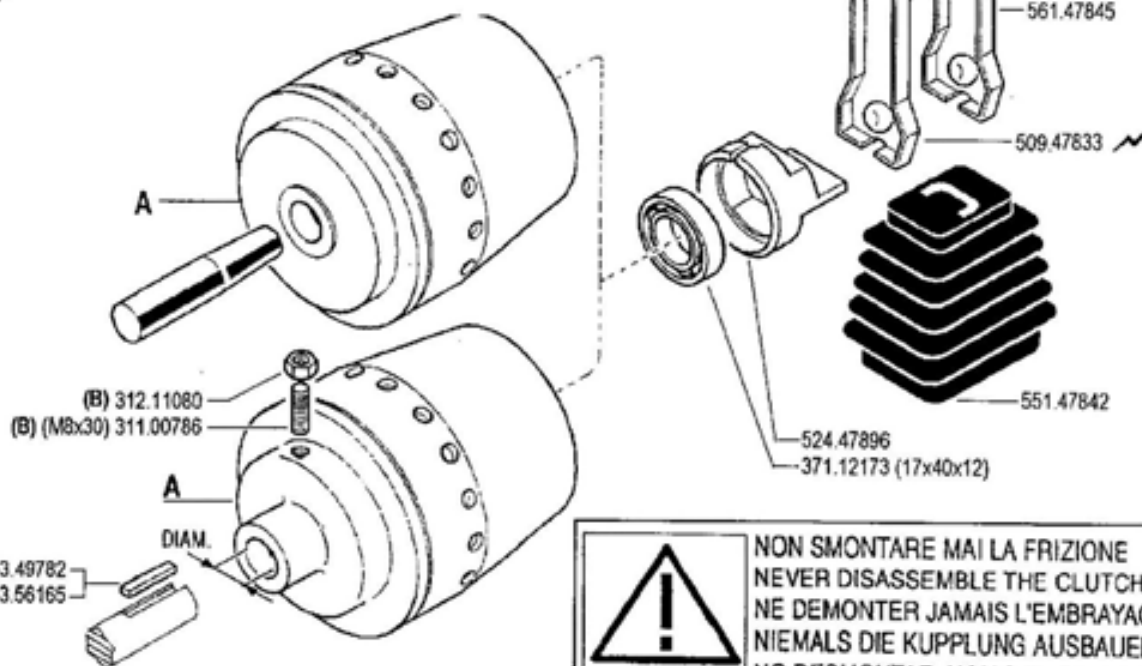
563.47484 - HONDA Gx 340 ★  
 563.56251 HONDA G150 - Gx 120/160/200

312.11080  
 314.23084

313.12088 (M8x40)  
 313.12083 (M8x46) (15LD315/350 - ACT 280/340 - L100AE)

HONDA G150 - Gx 120/160/200 (2) ★ 532.47488  
 HONDA Gx 340 ★ 531.56150

MOTORE ENGINE MOTEUR MOTOR	A FRIZIONE EMBRAYAGE KUPPLUNG CLUTCH
Acme A220	592.47884
Acme ACT 280 - A349 ★ - A360 ★	592.47884
Acme ACT 340	592.47871
Honda Gx 340 ★	592.56257
Honda G150 - Gx 120 / 160 / 200	592.56265 ★ (1)
Intermotor IM 359	592.47884
Lombardini 15LD315 / 350	592.47884
Yanmar L100AE	592.47971



(HONDA Gx 340 ★) 563.49782  
 (HONDA G150 - Gx120/160/200) ★ 563.56165

(2) sostituisce V532.47468  
 (1) sostituisce 592.56252

**! NON SMONTARE MAI LA FRIZIONE  
 NEVER DISASSEMBLE THE CLUTCH  
 NE DEMONTER JAMAIS L'EMBRAYAGE  
 NIEMALS DIE KUPPLUNG AUSBAUEN  
 NO DESMONTAR JAMAS EL EMBRAGUE**

(B) serrare a 2 kgm

**FERRARI**

**500 serie 95**

**FRIZIONE A CONO AUTOVENTILANTE**

CLUTCH  
 EMBRAGUE

EMBRAYAGE  
 KUPPLUNG

DALLA MACCHINA  
 DE LA MAQUINA  
 DE LA MACHINE  
 FROM THE MACHINE  
 AB DER MASCHINE

(1) 4194 (515)  
 (1) 166207 (520)

**02**

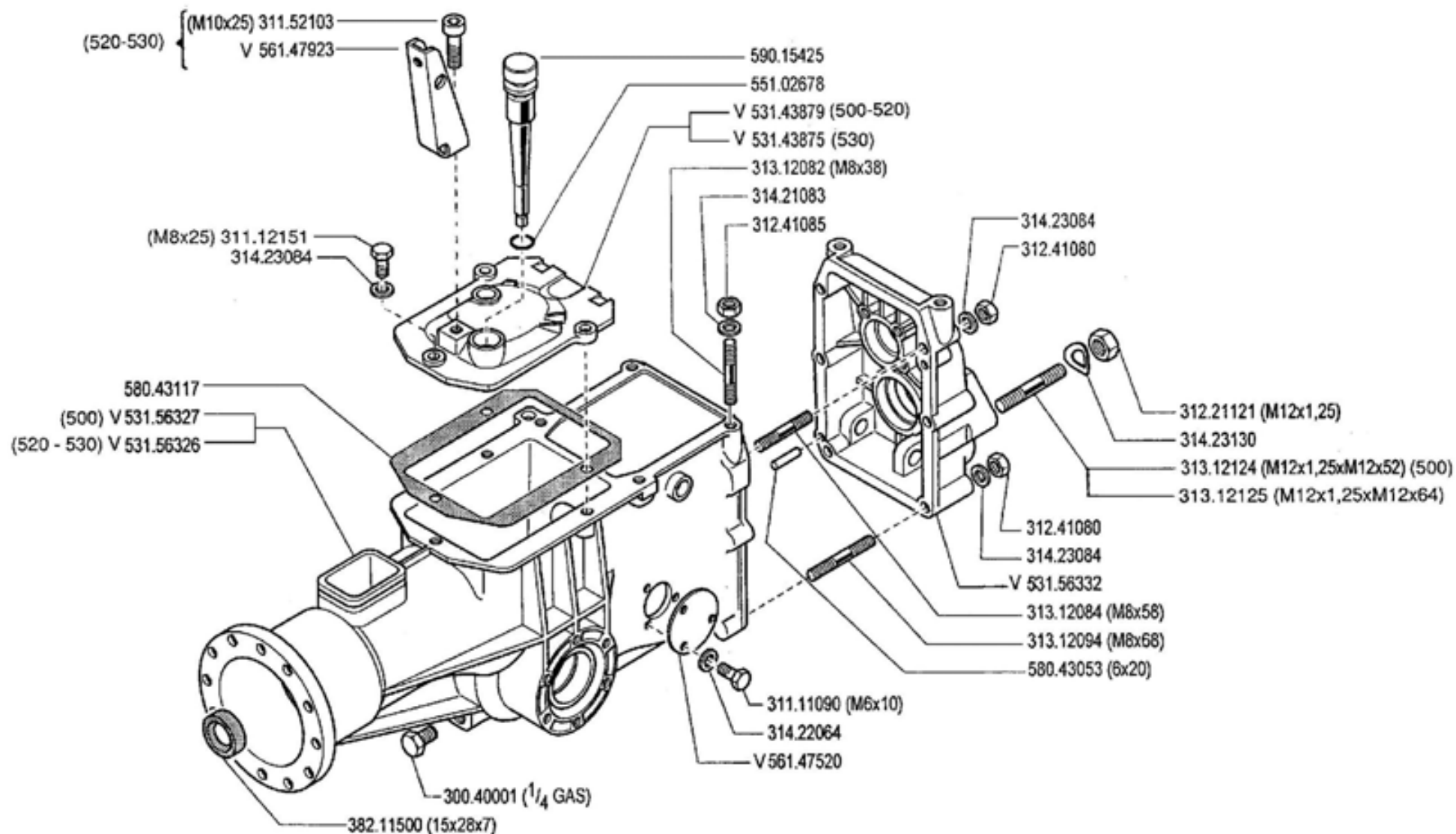
Rev. **3**

★N.

**12/2002**

303NE

Pos.	Code	Q.ty	Description	Notes
31100003	31100003	0	SCREW TE 5/16X7/8	
31100015	31100015	0	SCREW TE 3/8X1	
31100786	31100786	0	SCREW STEI M8X30 UNI5923 8G	
31211080	31211080	0	NUT M8	
31312083	31312083	0	STUD BOLT M8X46X16X16	
31312088	31312088	0	STUD BOLT M8X40X14X14	
31423084	31423084	0	SPRING WASHER 8,4	
31423105	31423105	0	SPRING WASHER 10,5	
37112173	37112173	0	BEARING	
37112231	37112231	0	BEARING	
37112233	37112233	0	BEARING	
50947833	50947833	0	CLUTCH LEVER	
52447896	52447896	0	PRESSURE PLATE	
53156150	53156150	0	ENGINE FLANGE	
53247488	53247488	0	ENGINE FLANGE	
55147842	55147842	0	BELLOWS	
56147845	56147845	0	CLUTCH LEVER	
56347484	56347484	0	SHIM	
56349782	56349782	0	DOWEL	
56356165	56356165	0	DOWEL	
56356251	56356251	0	SHIM D=19,6	
59247884	59247884	0	CLUTCH ASSY	
59247971	59247971	0	CLUTCH	
59256257	59256257	0	CLUTCH ASSY	
59256265	59256265	0	CLUTCH ASSY	



V = verde - green - vert - grün

**FERRARI**

**500** serie **95**

**SCATOLA CAMBIO**

GEARBOX  
CAJA DE CAMBIO

BOITE DE VITESSES  
WECHSELGETRIEBE

DALLA MACCHINA  
DE LA MAQUINA  
DE LA MACHINE  
FROM THE MACHINE  
AB DER MASCHINE

N.

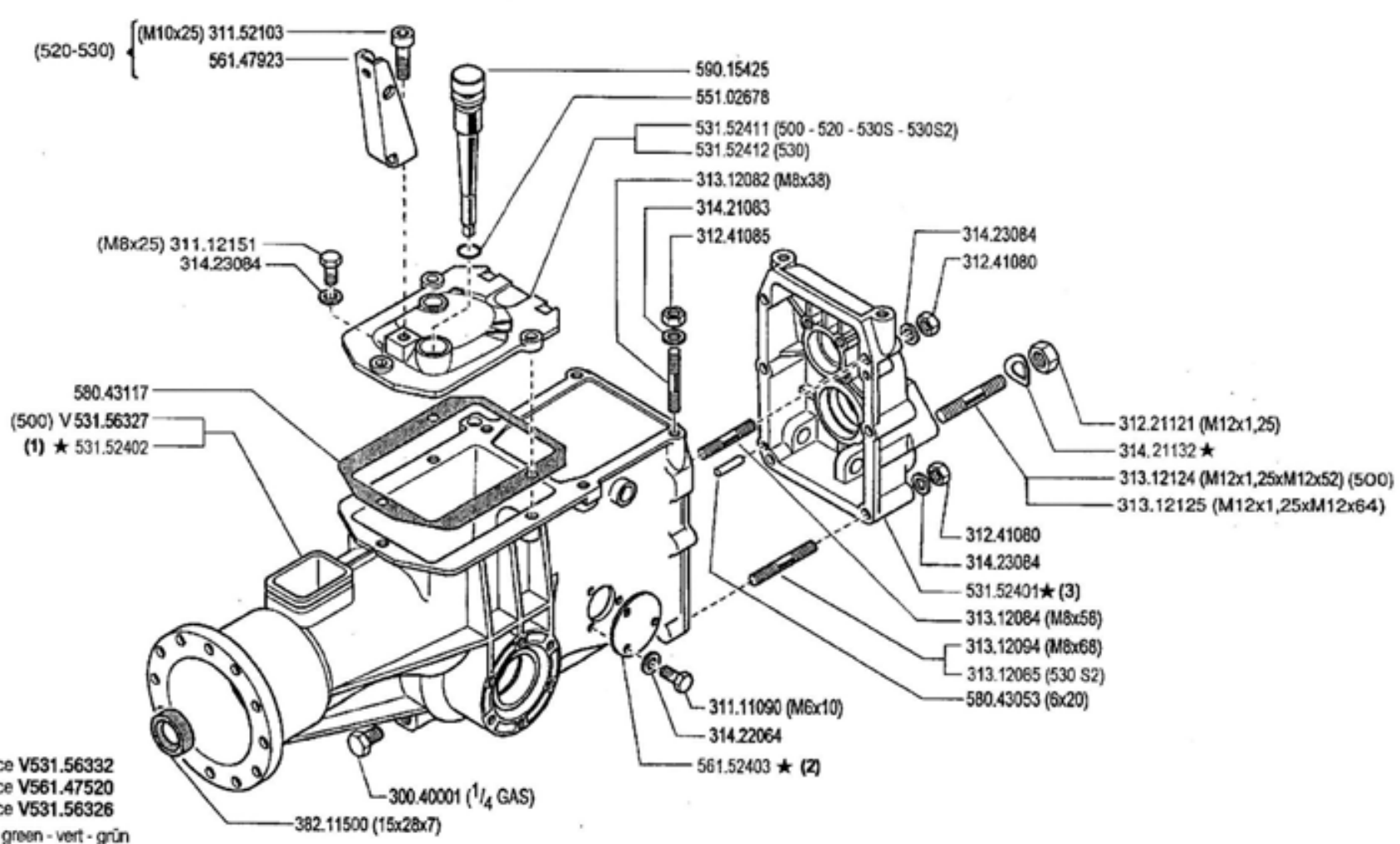
**03** 00

6/1995

ZENIT

Pos.	Code	Q.ty	Description	Notes
30040001	30040001	0	PLUG	
31111090	31111090	0	SCREW TE M5X10 UNI 5739 8G	
31112151	31112151	0	SCREW TE M8X25 UNI 5739 8G	
31152103	31152103	0	SCREW TCEI M10X25 UNI 5931	
31221121	31221121	0	NUT M12X1,25	
31241080	31241080	0	SELFLOCK NUT M8	
31241085	31241085	0	SELFLOCK NUT M8 6S	
31312082	31312082	0	STUD BOLT M8X38X14X20	
31312084	31312084	0	STUD BOLT M8X58X16X16	
31312094	31312094	0	STUD BOLT M8X68X14X36	
31312124	31312124	0	STUD BOLT	
31312125	31312125	0	STUD BOLT	
31421083	31421083	0	WASHER	
31422064	31422064	0	SPRING WASHER 6,4	
31423084	31423084	0	SPRING WASHER 8,4	
31423130	31423130	0	SPRING WASHER 13	
38211500	38211500	0	OIL SEAL 15X28X7	
53143875	53143875	0	GEARBOX HOUSING COVER	
53143879	53143879	0	GEARBOX HOUSING COVER	
53156326	53156326	0	BODY	
53156327	53156327	0	BODY	
53156332	53156332	0	REAR COVER	
55102678	55102678	0	RUBBER RING	
56147520	56147520	0	COVER	
56147923	56147923	0	BRACKET	
58043053	58043053	0	CYLINDRICAL PLUG	
58043117	58043117	0	COVER GASKET	
59015425	59015425	0	PLUG	





**FERRARI**

**500** serie 95

**SCATOLA CAMBIO (500 - 520 - 530 - 530S - 530S2)**

GEARBOX  
CAJA DE CAMBIO

BOITE DE VITESSES  
WECHSELGETRIEBE

DALLA MACCHINA  
DE LA MAQUINA  
DE LA MACHINE  
FROM THE MACHINE  
AB DER MASCHINE

AGGIORNAMENTO
REVISION
MISE A JOUR
APLAZAMIENTO
ANPASSUNG

**03**

Rev.  
**1**

**12/2002**

★ N.

20002

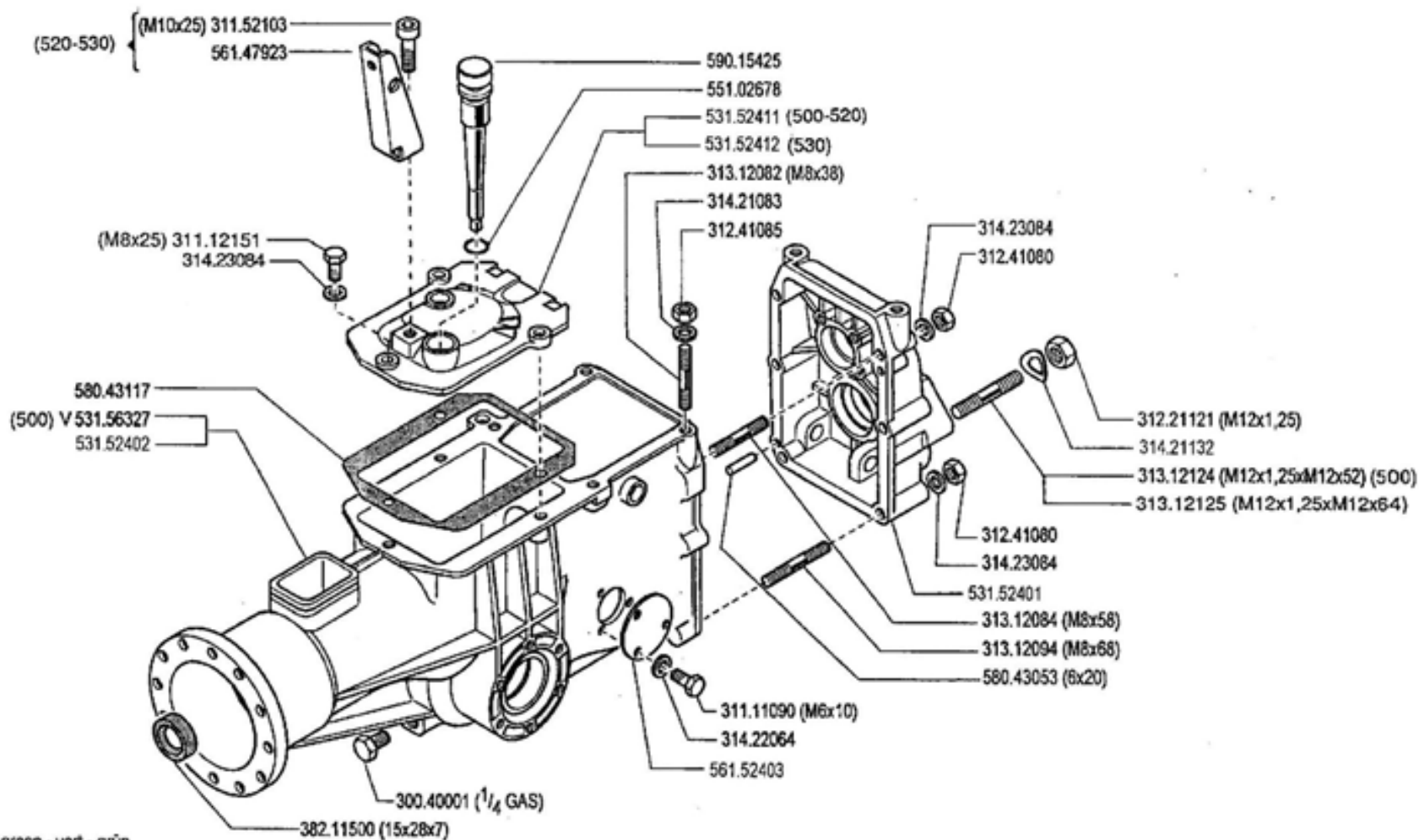
Pos.	Code	Q.ty	Description	Notes
30040001	30040001	0	PLUG	
31111090	31111090	0	SCREW TE M5X10 UNI 5739 8G	
31112151	31112151	0	SCREW TE M8X25 UNI 5739 8G	
31152103	31152103	0	SCREW TCEI M10X25 UNI 5931	
31221121	31221121	0	NUT M12X1,25	
31241080	31241080	0	SELFLOCK NUT M8	
31241085	31241085	0	SELFLOCK NUT M8 6S	
31312082	31312082	0	STUD BOLT M8X38X14X20	
31312084	31312084	0	STUD BOLT M8X58X16X16	
31312085	31312085	0	STUD BOLT M8X80X28X16	
31312094	31312094	0	STUD BOLT M8X68X14X36	
31312124	31312124	0	STUD BOLT	
31312125	31312125	0	STUD BOLT	
31421083	31421083	0	WASHER	
31421132	31421132	0	WASHER 13X24X2,8	
31422064	31422064	0	SPRING WASHER 6,4	
31423084	31423084	0	SPRING WASHER 8,4	
38211500	38211500	0	OIL SEAL 15X28X7	
53152401	53152401	0	REAR COVER	
53152402	53152402	0	BODY	
53152411	53152411	0	GEARBOX HOUSING COVER	
53152412	53152412	0	COPERCHIO SCAT.CAMBIO DIFF.*V*	
53156327	53156327	0	BODY	
55102678	55102678	0	RUBBER RING	
56147923	56147923	0	BRACKET	
56152403	56152403	0	COVER	
58043053	58043053	0	CYLINDRICAL PLUG	
58043117	58043117	0	COVER GASKET	
59015425	59015425	0	PLUG	

SERIAL

**GEARBOX (500-520/30-530S/S2)**

CODE REV

**003\_1\_12834**



**FERRARI**

**500** serie **95**

**SCATOLA CAMBIO (500 - 520 - 530) ★**

GEARBOX  
CAJA DE CAMBIO

BOITE DE VITESSES  
WECHSELGETRIEBE

DALLA MACCHINA  
DE LA MAQUINA  
DE LA MACHINE  
FROM THE MACHINE  
AB DER MASCHINE

AGGIORNAMENTO

REVISION

MISE A JOUR

AFLAZAMIENTO

ANPASSUNG

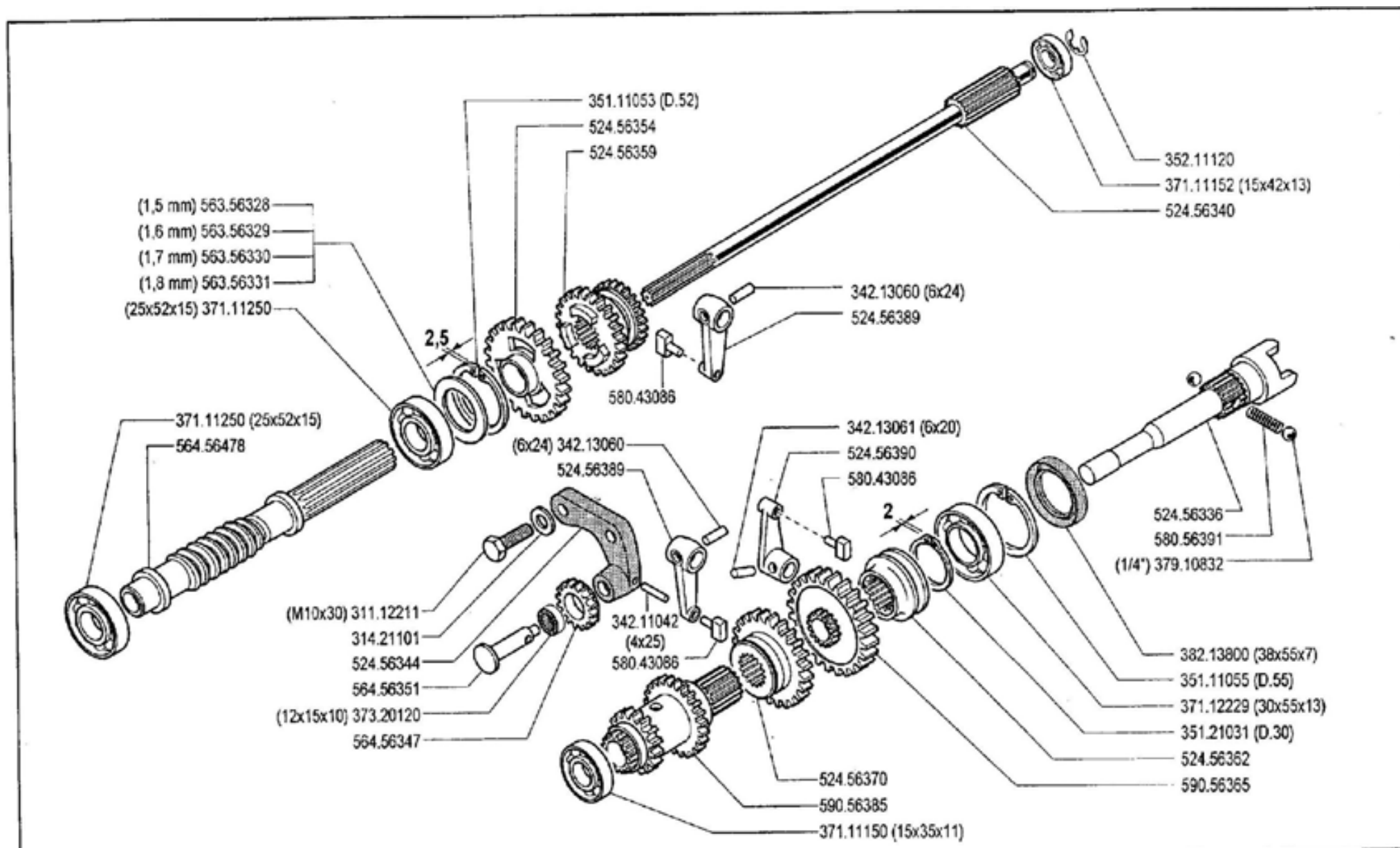
**03**

Rev.  
**2**

**1/2004**

★ N

Pos.	Code	Q.ty	Description	Notes
30040001	30040001	0	PLUG	
31111090	31111090	0	SCREW TE M5X10 UNI 5739 8G	
31112151	31112151	0	SCREW TE M8X25 UNI 5739 8G	
31152103	31152103	0	SCREW TCEI M10X25 UNI 5931	
31221121	31221121	0	NUT M12X1,25	
31241080	31241080	0	SELFLOCK NUT M8	
31241085	31241085	0	SELFLOCK NUT M8 6S	
31312082	31312082	0	STUD BOLT M8X38X14X20	
31312084	31312084	0	STUD BOLT M8X58X16X16	
31312094	31312094	0	STUD BOLT M8X68X14X36	
31312124	31312124	0	STUD BOLT	
31312125	31312125	0	STUD BOLT	
31421083	31421083	0	WASHER	
31421132	31421132	0	WASHER 13X24X2,8	
31422064	31422064	0	SPRING WASHER 6,4	
31423084	31423084	0	SPRING WASHER 8,4	
38211500	38211500	0	OIL SEAL 15X28X7	
53152401	53152401	0	REAR COVER	
53152402	53152402	0	BODY	
53152411	53152411	0	GEARBOX HOUSING COVER	
53152412	53152412	0	COPERCHIO SCAT.CAMBIO DIFF.*V*	
53156327	53156327	0	BODY	
55102678	55102678	0	RUBBER RING	
56147923	56147923	0	BRACKET	
56152403	56152403	0	COVER	
58043053	58043053	0	CYLINDRICAL PLUG	
58043117	58043117	0	COVER GASKET	
59015425	59015425	0	PLUG	



**FERRARI**

**500** serie **95**

**INGRANAGGI CAMBIO**

ENGRANAJES  
ENGRANAGES

GEARS  
ZÄHNRÄDER

DALLA MACCHINA  
DE LA MAQUINA  
DE LA MACHINE  
FROM THE MACHINE  
AD DER MASCHINE

N.

**04.00**

01.06.1995

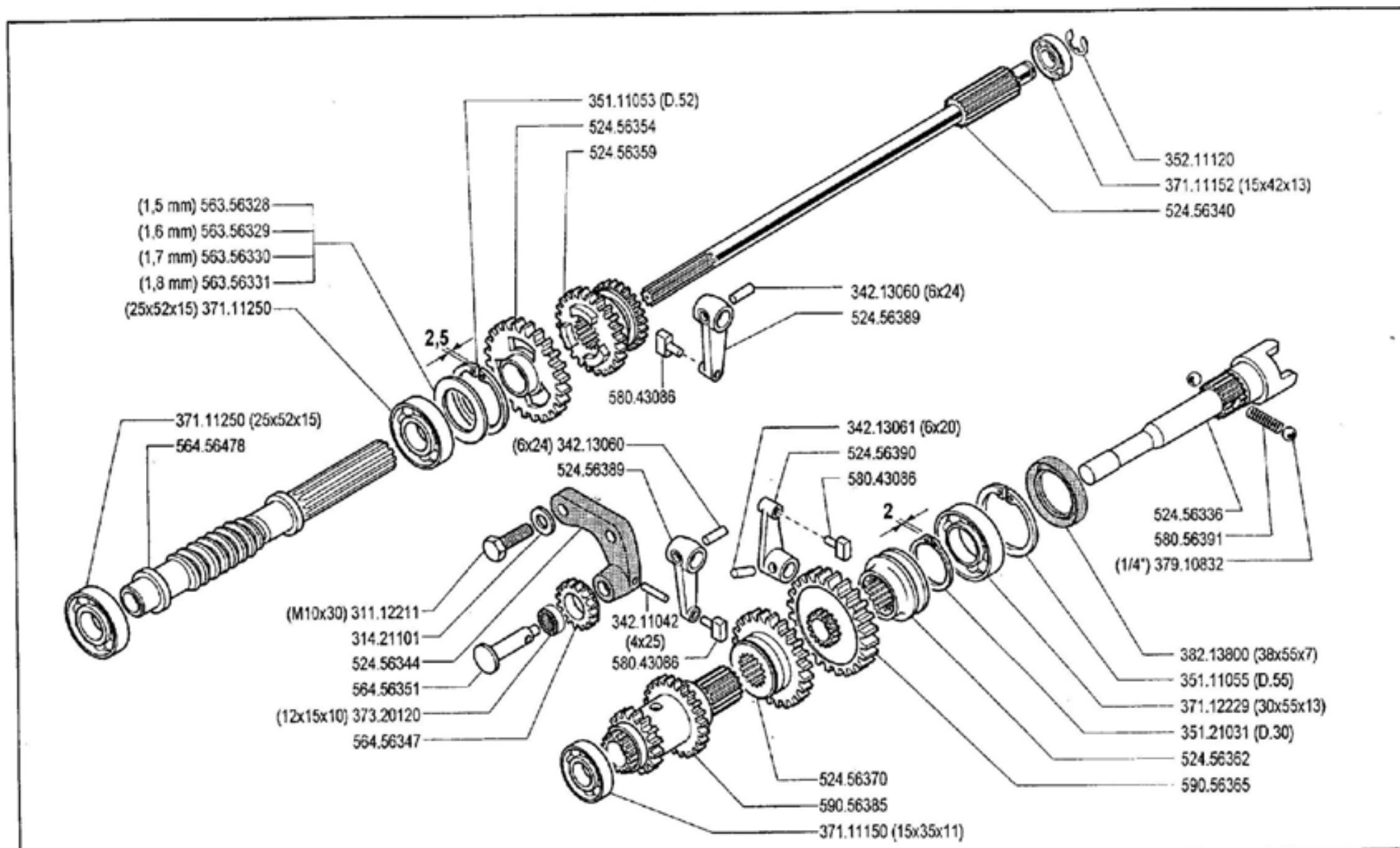
Pos.	Code	Q.ty	Description	Notes
31112211	31112211	0	SCREW TE M10X30 UNI 5739	
31421101	31421101	0	WASHER	
34211042	34211042	0	ROLL PIN	
34213060	34213060	0	ROLL PIN	
34213061	34213061	0	ROLL PIN	
35111053	35111053	0	SEEGER RING I 52 UNI 7438	
35111055	35111055	0	SEEGER RING I 55 DIN 472	
35121031	35121031	0	SEEGER RING E 30 UNI 7436	
35211120	35211120	0	SEEGER RING E 12 UNI 7434	
37111150	37111150	0	BEARING	
37111152	37111152	0	BEARING	
37111250	37111250	0	BEARING	
37112229	37112229	0	BEARING	
37320120	37320120	0	ROLLER CAGE 12X15/10	
37910832	37910832	0	BALL 1/4	
38213800	38213800	0	OIL SEAL 38X55X7	
52456336	52456336	0	PTO SHAFT	
52456340	52456340	0	SHAFT	
52456344	52456344	0	GEAR SUPPORT	
52456354	52456354	0	GEAR	
52456359	52456359	0	SLIDER	
52456362	52456362	0	COUPLING	
52456370	52456370	0	SLIDER	
52456389	52456389	0	LEVER	
52456390	52456390	0	LEVER	
56356328	56356328	0	ADJUSTING RING SP=1,5	
56356329	56356329	0	ADJUSTING RING SP=1,6	
56356330	56356330	0	ADJUSTING RING SP=1,7	
56356331	56356331	0	ADJUSTING RING SP=1,8	
56456347	56456347	0	GEAR	
56456351	56456351	0	GEAR PIN	
56456478	56456478	0	SCREW	
58043086	58043086	0	SHOE	
58056391	58056391	0	SPRING	

SERIAL

## GEARS

CODE REV

004\_0\_12893



**FERRARI**

**500** serie **95**

**INGRANAGGI CAMBIO**

ENGRANAJES  
ENGRANAGES

GEARS  
ZÄHNRÄDER

DALLA MACCHINA  
DE LA MAQUINA  
DE LA MACHINE  
FROM THE MACHINE  
AD DER MASCHINE

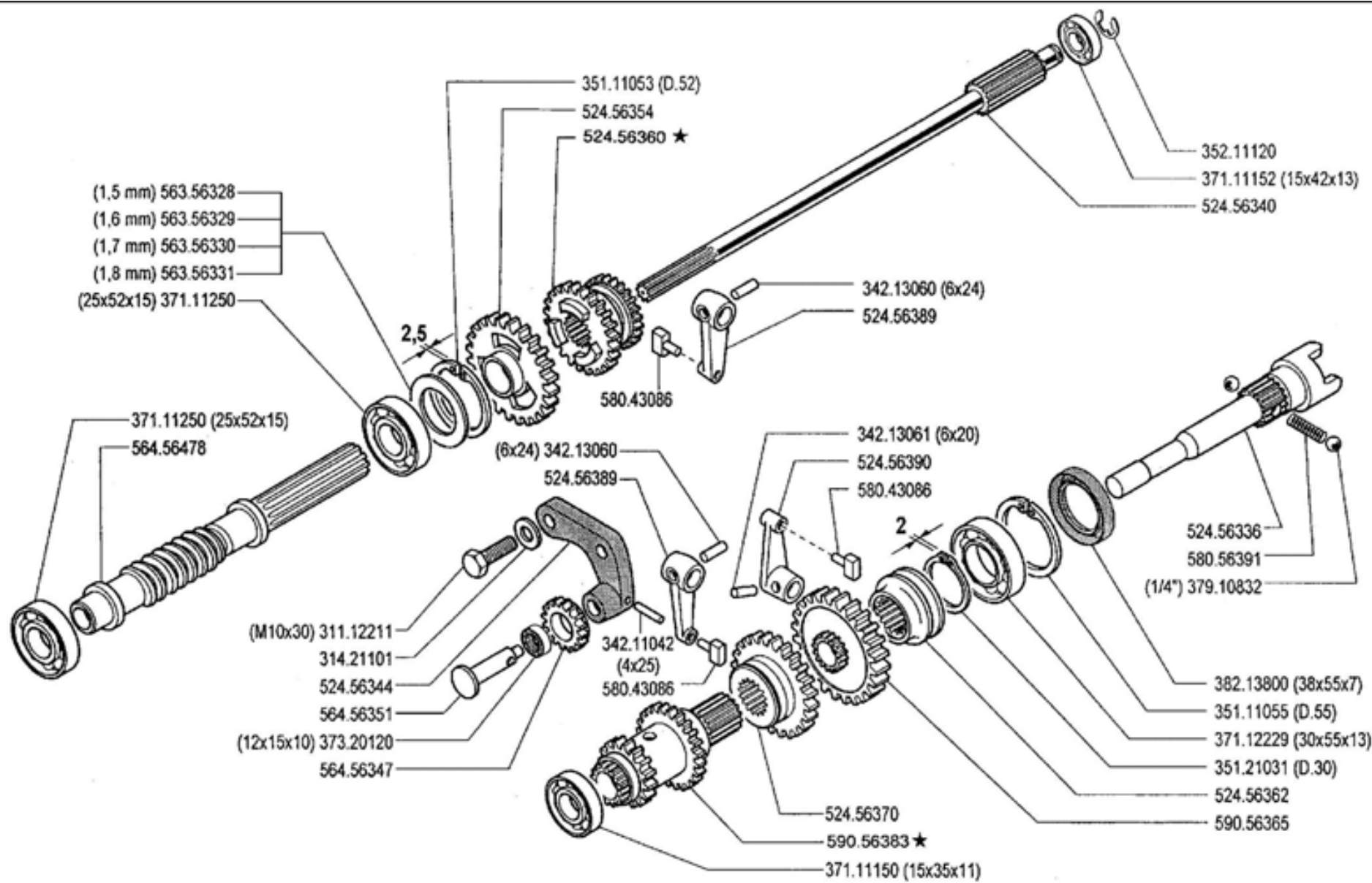
N.


**04.00**

01.06.1995

Pos.	Code	Q.ty	Description	Notes
59056365	59056365	0	PTO GEAR	
59056385	59056385	0	TRIPLE GEAR	





	<b>500</b> serie <b>95</b>	<b>INGRANAGGI CAMBIO</b>		DALLA MACCHINA DE LA MAQUINA DE LA MACHINE FROM THE MACHINE AB DER MASCHINE		<b>04</b>	01		
		GEARS	ENGRANAJES		ENGRANAGES			ZÄHNRÄDER	
									21882 (530)
									156431 (520)
					80754 (500)	<b>10/1996</b>			

★N.

ZFN/86

Pos.	Code	Q.ty	Description	Notes
31112211	31112211	0	SCREW TE M10X30 UNI 5739	
31421101	31421101	0	WASHER	
34211042	34211042	0	ROLL PIN	
34213060	34213060	0	ROLL PIN	
34213061	34213061	0	ROLL PIN	
35111053	35111053	0	SEEGER RING I 52 UNI 7438	
35111055	35111055	0	SEEGER RING I 55 DIN 472	
35121031	35121031	0	SEEGER RING E 30 UNI 7436	
35211120	35211120	0	SEEGER RING E 12 UNI 7434	
37111150	37111150	0	BEARING	
37111152	37111152	0	BEARING	
37111250	37111250	0	BEARING	
37112229	37112229	0	BEARING	
37320120	37320120	0	ROLLER CAGE 12X15/10	
37910832	37910832	0	BALL 1/4	
38213800	38213800	0	OIL SEAL 38X55X7	
52456336	52456336	0	PTO SHAFT	
52456340	52456340	0	SHAFT	
52456344	52456344	0	GEAR SUPPORT	
52456354	52456354	0	GEAR	
52456360	52456360	0	SLIDER	
52456362	52456362	0	COUPLING	
52456370	52456370	0	SLIDER	
52456389	52456389	0	LEVER	
52456390	52456390	0	LEVER	
56356328	56356328	0	ADJUSTING RING SP=1,5	
56356329	56356329	0	ADJUSTING RING SP=1,6	
56356330	56356330	0	ADJUSTING RING SP=1,7	
56356331	56356331	0	ADJUSTING RING SP=1,8	
56456347	56456347	0	GEAR	
56456351	56456351	0	GEAR PIN	
56456478	56456478	0	SCREW	
58043086	58043086	0	SHOE	
58056391	58056391	0	SPRING	

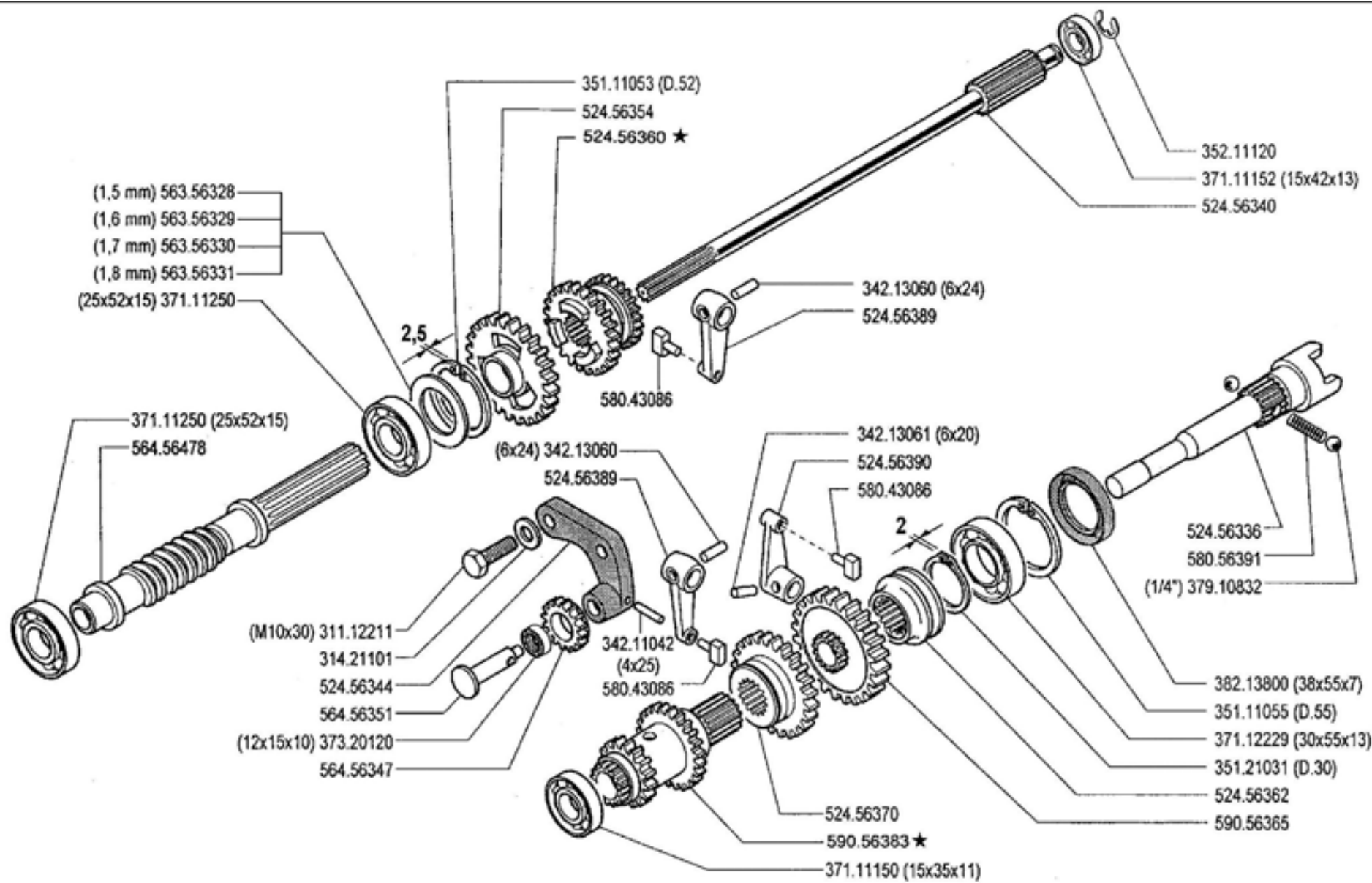
SERIAL


## GEARS

Version: MF 530, MF 500, MF 520

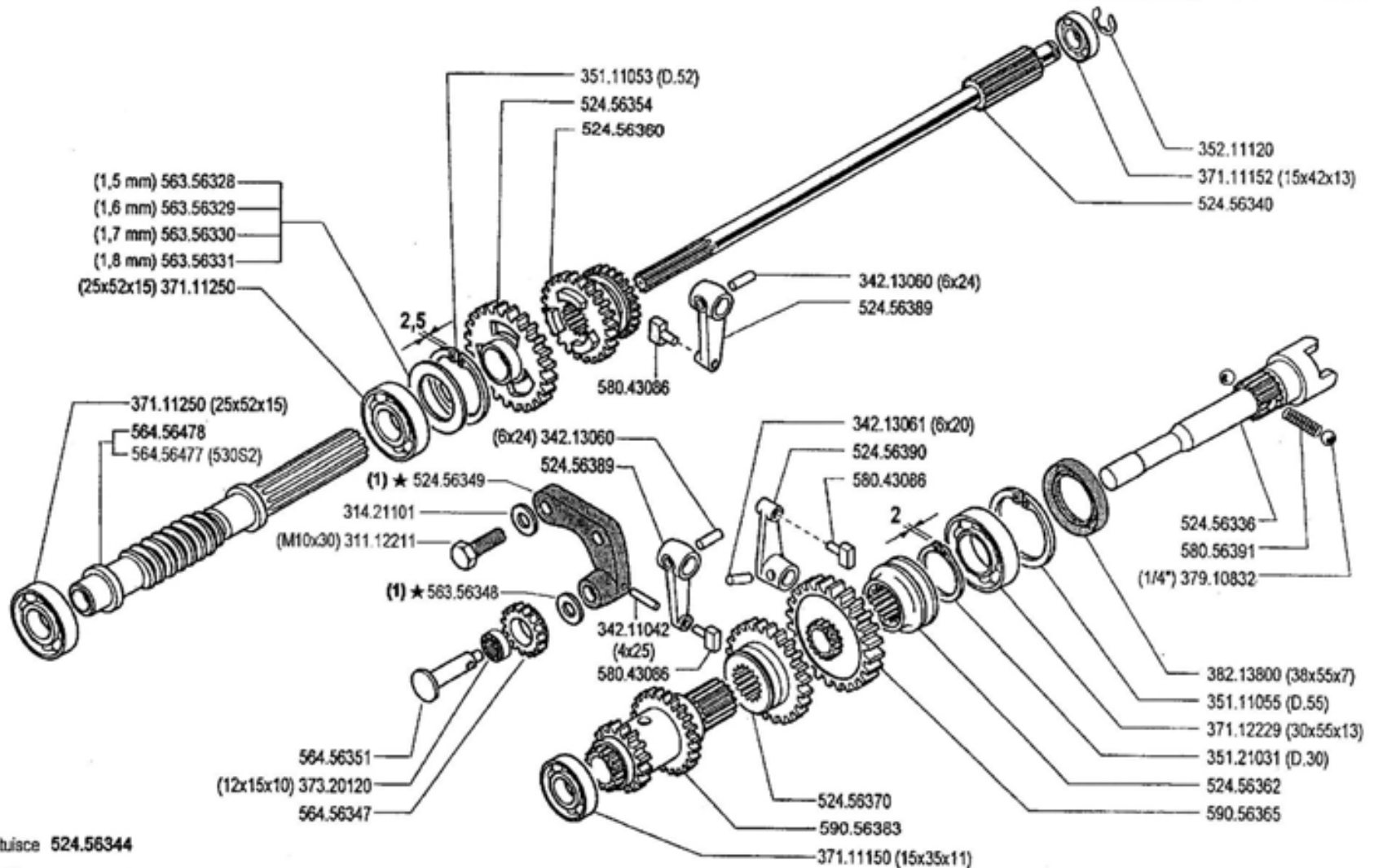
CODE REV

004\_1\_12930



	<b>500</b> serie <b>95</b>	<b>INGRANAGGI CAMBIO</b>		DALLA MACCHINA DE LA MAQUINA DE LA MACHINE FROM THE MACHINE AB DER MASCHINE		<b>04</b>	01		
		GEARS	ENGRANAJES		ENGRANAGES			ZÄHNRÄDER	21882 (530)
		INGRANAJES	ENGRANAJES		ENGRANAGES			ZÄHNRÄDER	156431 (520)
		INGRANAJES	ENGRANAJES		ENGRANAGES			ZÄHNRÄDER	80754 (500)
★N.					<b>10/1996</b>				

Pos.	Code	Q.ty	Description	Notes
59056365	59056365	0	PTO GEAR	
59056383	59056383	0	TRIPLE GEAR	



(1) sostituisce 524.56344

<b>FERRARI</b> <b>500</b> serie 95	<b>INGRANAGGI CAMBIO (500 - 520 - 530 - 530S - 530S2) ★</b> GEARS ENGRANAJES ENGRANAGES ZAHNRÄDER	DALLA MACCHINA DE LA MAQUINA DE LA MACHINE FROM THE MACHINE AB DER MASCHINE ★N.	AGGIORNAMENTO	<b>04</b> 9/2000	Rev.
			REVISION		2
			MISE A JOUR		
			APLAZAMIENTO		
			ANPASSUNG		

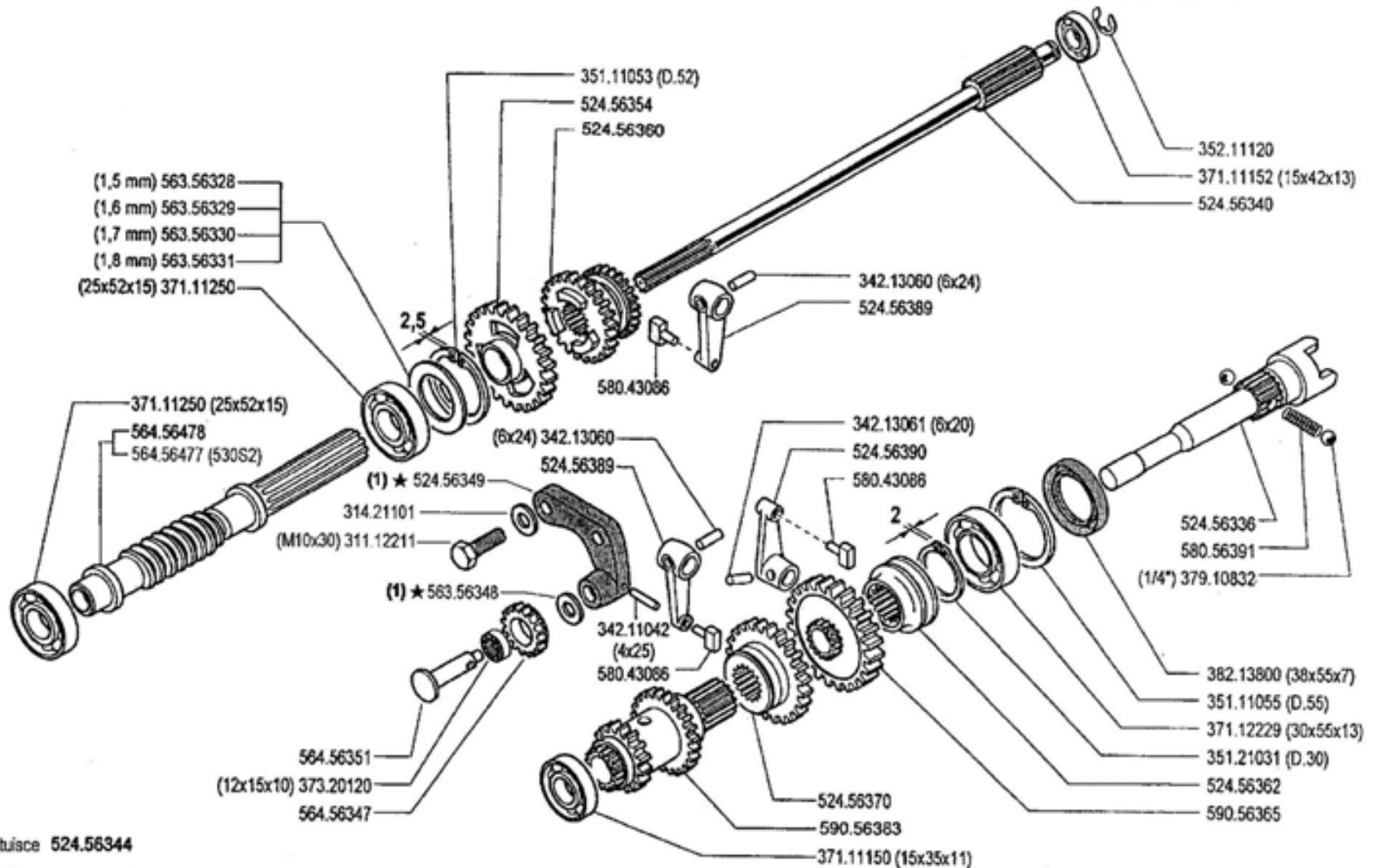
Pos.	Code	Q.ty	Description	Notes
31112211	31112211	0	SCREW TE M10X30 UNI 5739	
31421101	31421101	0	WASHER	
34211042	34211042	0	ROLL PIN	
34213060	34213060	0	ROLL PIN	
34213061	34213061	0	ROLL PIN	
35111053	35111053	0	SEEGER RING I 52 UNI 7438	
35111055	35111055	0	SEEGER RING I 55 DIN 472	
35121031	35121031	0	SEEGER RING E 30 UNI 7436	
35211120	35211120	0	SEEGER RING E 12 UNI 7434	
37111150	37111150	0	BEARING	
37111152	37111152	0	BEARING	
37111250	37111250	0	BEARING	
37112229	37112229	0	BEARING	
37320120	37320120	0	ROLLER CAGE 12X15/10	
37910832	37910832	0	BALL 1/4	
38213800	38213800	0	OIL SEAL 38X55X7	
52456336	52456336	0	PTO SHAFT	
52456340	52456340	0	SHAFT	
52456349	52456349	0	GEAR SUPPORT	
52456354	52456354	0	GEAR	
52456360	52456360	0	SLIDER	
52456362	52456362	0	COUPLING	
52456370	52456370	0	SLIDER	
52456389	52456389	0	LEVER	
52456390	52456390	0	LEVER	
56356328	56356328	0	ADJUSTING RING SP=1,5	
56356329	56356329	0	ADJUSTING RING SP=1,6	
56356330	56356330	0	ADJUSTING RING SP=1,7	
56356331	56356331	0	ADJUSTING RING SP=1,8	
56356348	56356348	0	ADJUSTING RING	
56456347	56456347	0	GEAR	
56456351	56456351	0	GEAR PIN	
56456477	56456477	0	SCREW	
56456478	56456478	0	SCREW	

SERIAL

**GEARS (500-520/30-530S/S2)**

CODE REV

**004\_2\_12967**

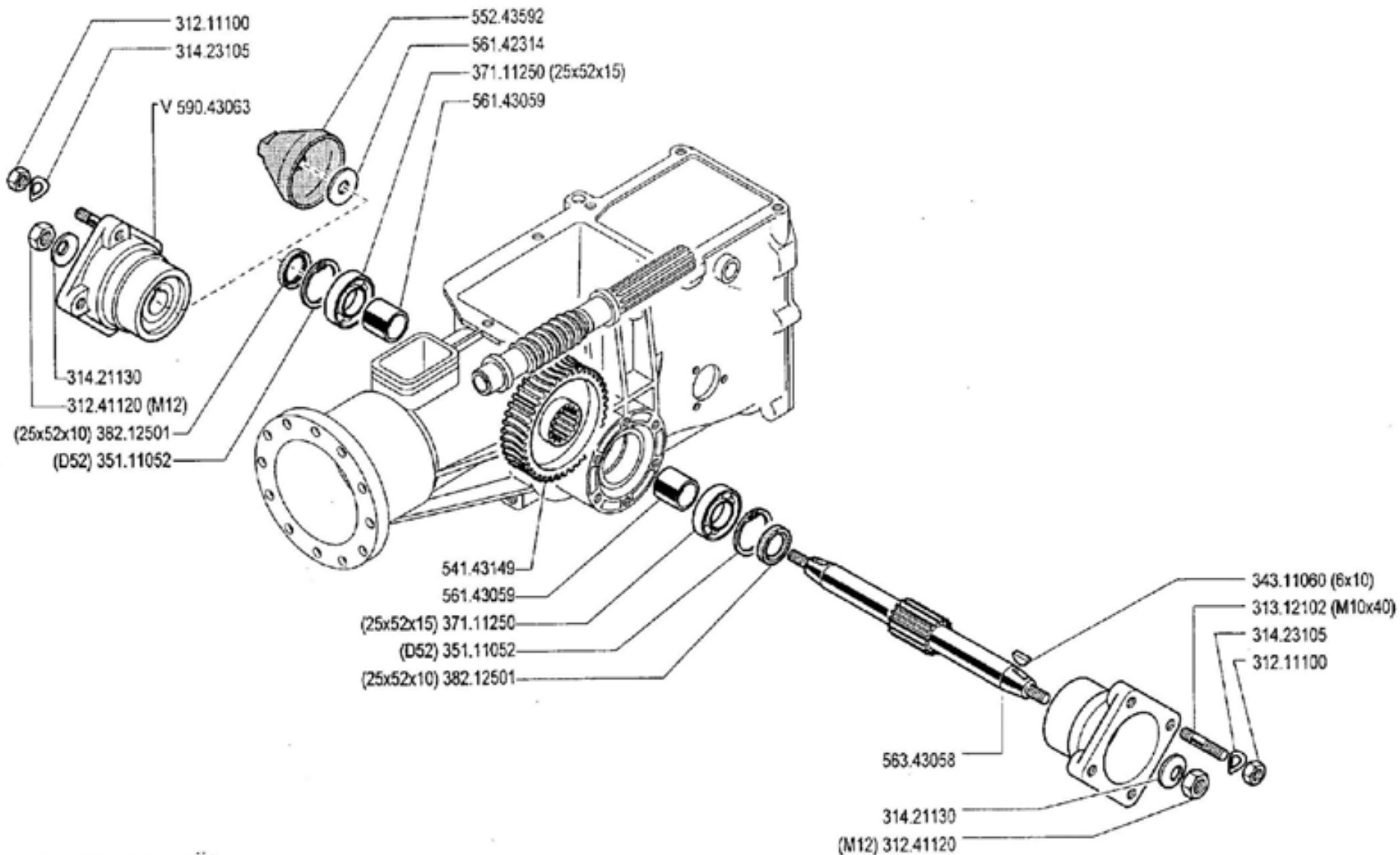


(1) sostituisce 524.56344

<b>FERRARI</b> <b>500</b> serie 95	<b>INGRANAGGI CAMBIO (500 - 520 - 530 - 530S - 530S2) ★</b>		DALLA MACCHINA DE LA MAQUINA DE LA MACHINE FROM THE MACHINE AB DER MASCHINE ★N.	AGGIORNAMENTO	<b>04</b>	Rev.
	GEARS ENGRANAJES	ENGRANAGES ZAHNRÄDER		REVISION MISE A JOUR APLAZAMIENTO ANPASSUNG		2
				9/2000		

Pos.	Code	Q.ty	Description	Notes
58043086	58043086	0	SHOE	
58056391	58056391	0	SPRING	
59056365	59056365	0	PTO GEAR	
59056383	59056383	0	TRIPLE GEAR	





V = verde - vert - green - grün

**FERRARI**

**500** serie **95**

**ASSE RUOTE (500-520)**

EJE RUEDAS  
ESSIEU ROUES

WHEEL AXLE  
RADACHSE

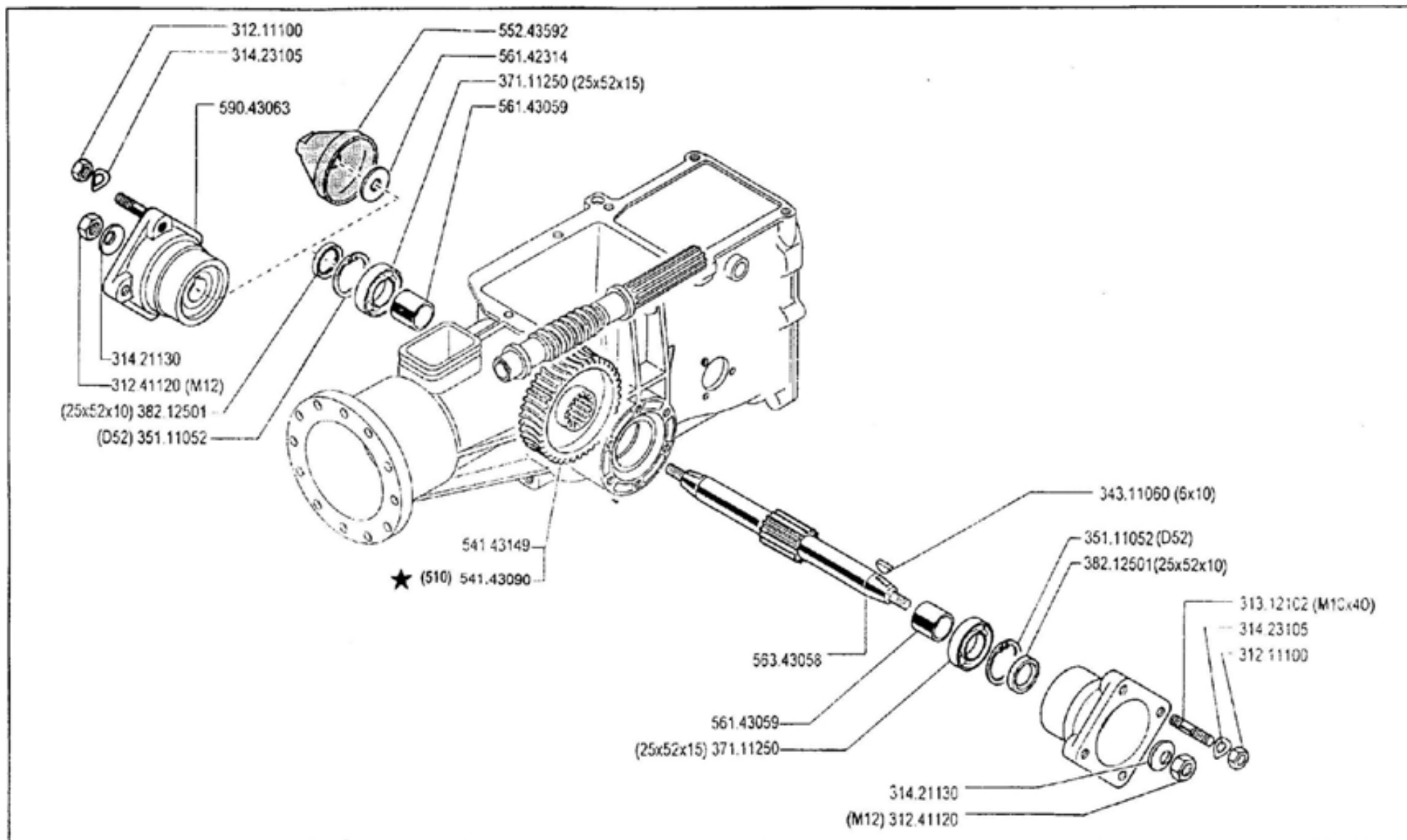
DALLA MACCHINA  
DE LA MAQUINA  
DE LA MACHINE  
FROM THE MACHINE  
AB DER MASCHINE

N.

**05.00**

01.06.1995

Pos.	Code	Q.ty	Description	Notes
31211100	31211100	0	NUT M10	
31241120	31241120	0	SELFLOCK NUT M12	
31312102	31312102	0	STUD BOLT M10X40X24X12	
31421130	31421130	0	WASHER	
31423105	31423105	0	SPRING WASHER 10,5	
34311060	34311060	0	KEY 6X10 UNI 6606	
35111052	35111052	0	SEEGER RING I 52 DIN 472	
37111250	37111250	0	BEARING	
38212501	38212501	0	OIL SEAL 25X52X10	
54143149	54143149	0	CROWN WHEEL	
55243592	55243592	0	CAP	
56142314	56142314	0	WASHER 12,5x34/4	
56143059	56143059	0	SPACER	
56343058	56343058	0	AXLE SHAFT	
59043063	59043063	0	WHEEL HUB	



**FERRARI**

**500** serie **95**

ASSE RUOTE (500-510-520)

EJE RUEDAS  
ESSIEU ROUES

WHEEL AXLE  
RADACHSE

DALLA MACCHINA  
DE LA MAQUINA  
DE LA MACHINE  
FROM THE MACHINE  
AB DER MASCHINE

AGGIORNAMENTO

REVISION

MISE A JOUR

APLAZAMIENTO

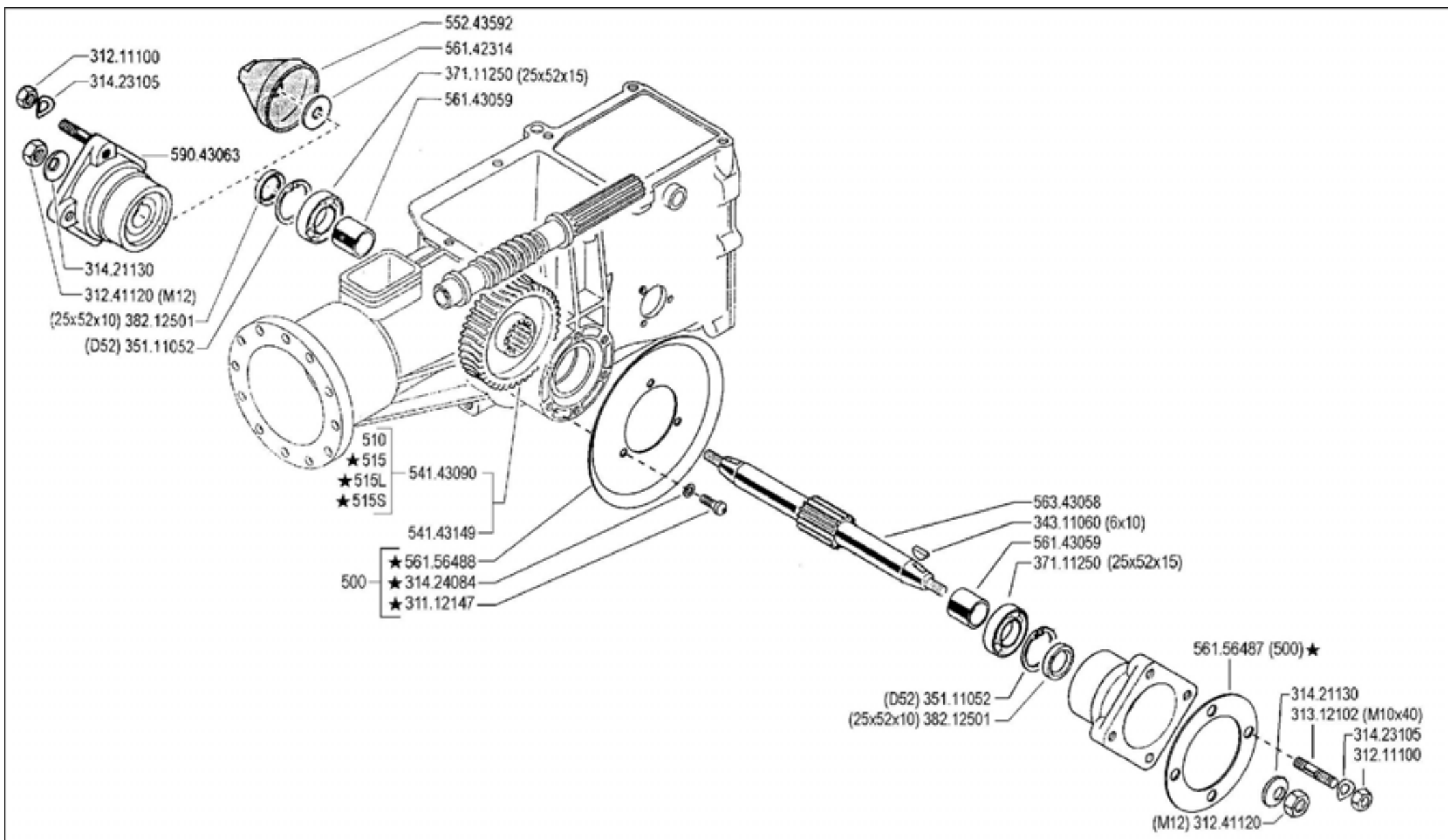
ANPASSUNG

**05 .01**

★ N.

10/1997

Pos.	Code	Q.ty	Description	Notes
31211100	31211100	0	NUT M10	
31241120	31241120	0	SELFLOCK NUT M12	
31312102	31312102	0	STUD BOLT M10X40X24X12	
31421130	31421130	0	WASHER	
31423105	31423105	0	SPRING WASHER 10,5	
34311060	34311060	0	KEY 6X10 UNI 6606	
35111052	35111052	0	SEEGER RING I 52 DIN 472	
37111250	37111250	0	BEARING	
38212501	38212501	0	OIL SEAL 25X52X10	
54143090	54143090	0	CROWN WHEEL	
54143149	54143149	0	CROWN WHEEL	
55243592	55243592	0	CAP	
56142314	56142314	0	WASHER 12,5x34/4	
56143059	56143059	0	SPACER	
56343058	56343058	0	AXLE SHAFT	
59043063	59043063	0	WHEEL HUB	



**FERRARI**

**500** serie **95**

**ASSE RUOTE (500 - 510 - 515 - 515L - 515S - 520)**

WHEELS AXLE  
EJE RUEDAS

ESSIEU ROUES  
RADACHSE

DALLA MACCHINA  
DE LA MAGINA  
DE LA MACHINE  
FROM THE MACHINE  
AB DER MASCHINE

AGGIORNAMENTO

REVISION

MISE A JOUR

APLAZAMIENTO

ANPASSUNG

**05**

Rev.  
**02**

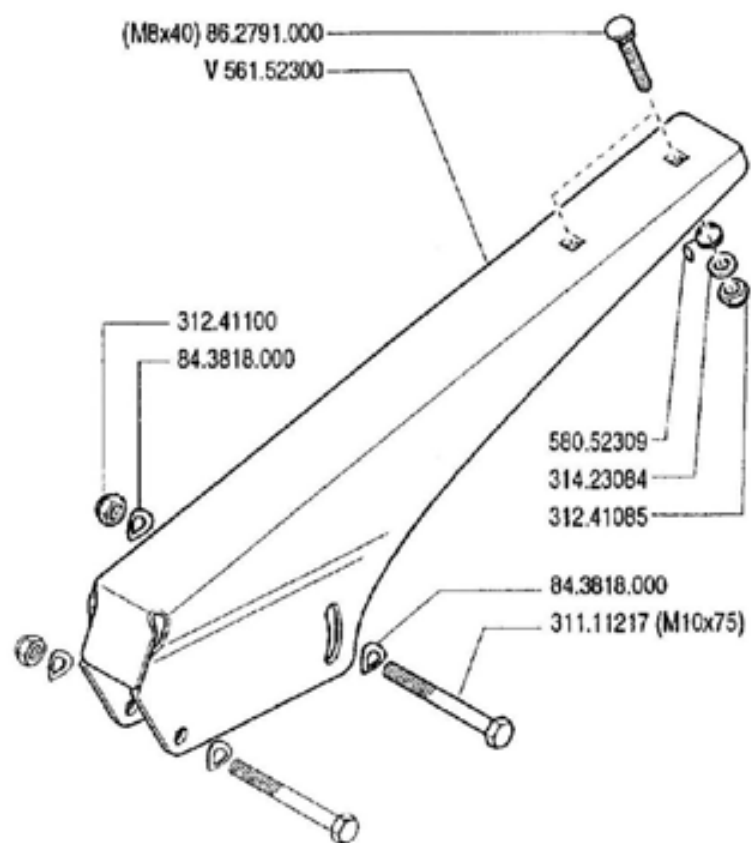
**1/2000**

★N.

28/95

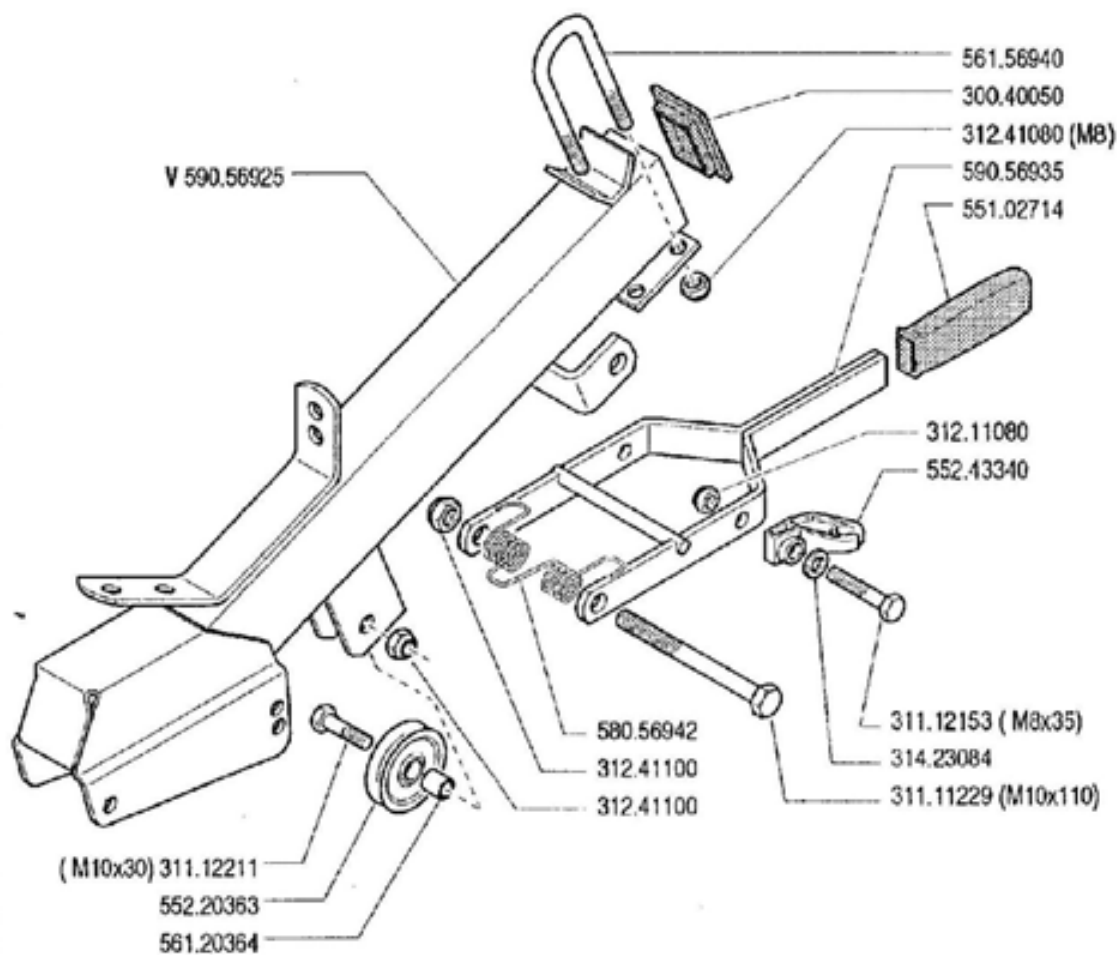
Pos.	Code	Q.ty	Description	Notes
31112147	31112147	0	SCREW TE M8X18 UNI 5739 8G	
31211100	31211100	0	NUT M10	
31241120	31241120	0	SELFLOCK NUT M12	
31312102	31312102	0	STUD BOLT M10X40X24X12	
31421130	31421130	0	WASHER	
31423105	31423105	0	SPRING WASHER 10,5	
31424084	31424084	0	SPRING WASHER 8,4	
34311060	34311060	0	KEY 6X10 UNI 6606	
35111052	35111052	0	SEEGER RING I 52 DIN 472	
37111250	37111250	0	BEARING	
38212501	38212501	0	OIL SEAL 25X52X10	
54143090	54143090	0	CROWN WHEEL	
54143149	54143149	0	CROWN WHEEL	
55243592	55243592	0	CAP	
56142314	56142314	0	WASHER 12,5x34/4	
56143059	56143059	0	SPACER	
56156487	56156487	0	SPACER	
56156488	56156488	0	GUARD	
56343058	56343058	0	AXLE SHAFT	
59043063	59043063	0	WHEEL HUB	

520 - 530



V = verde - vert - green - grün

500



**FERRARI**

**500** serie 95

COLUMNA  
PLANTON

PIANTONE

STEERING COLUMN  
LENKSÄULE

DALLA MACCHINA  
DE LA MACQUINA  
DE LA MACHINE  
FROM THE MACHINE  
AB DER MASCHINE

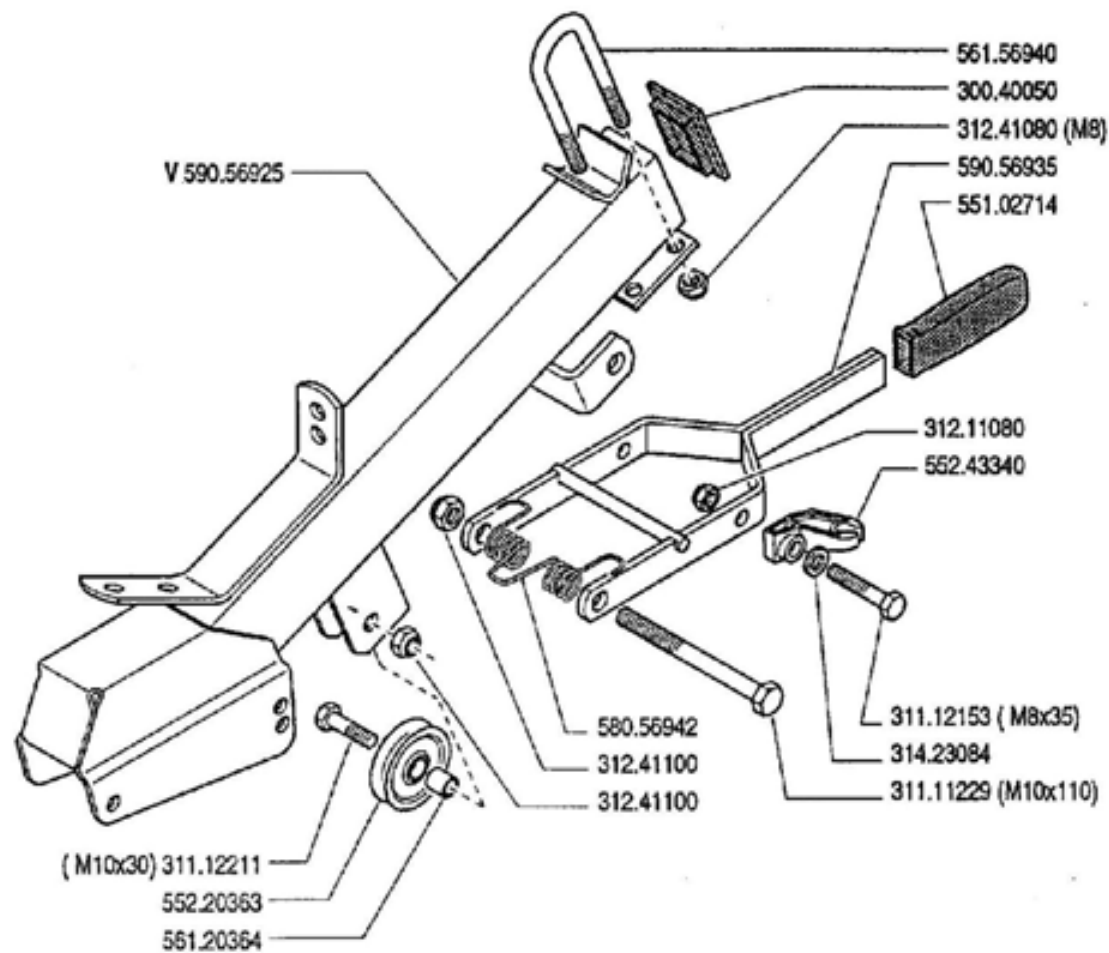
N.

**07.00**

01.06.1995

Pos.	Code	Q.ty	Description	Notes
30040050	30040050	0	RECTANGULAR TERMINAL 50X40	
31111217	31111217	0	SCREW TE M10X75 UNI 5737 8G	
31111229	31111229	0	SCREW TE M10X110 UNI 5737 8G	
31112153	31112153	0	SCREW TE M8X35 UNI 5739 8G	
31112211	31112211	0	SCREW TE M10X30 UNI 5739	
31211080	31211080	0	NUT M8	
31241080	31241080	0	SELFLOCK NUT M8	
31241085	31241085	0	SELFLOCK NUT M8 6S	
31241100	31241100	0	SELFLOCK NUT M10 6S	
31423084	31423084	0	SPRING WASHER 8,4	
55102714	55102714	0	KNOB	
55220363	55220363	0	PULLEY	
55243340	55243340	0	SUPPORT	
56120364	56120364	0	SLEEVE	
56152300	56152300	0	STEER.COLUMN MF	
56156940	56156940	0	U BOLT	
58052309	58052309	0	SOSTEGNO GUAINE MF	
58056942	58056942	0	SPRING	
59056925	59056925	0	COLUMN	
59056935	59056935	0	LEVER	
86279100	862791000	0		
F0843818	F0843818000	0	WASHER 11x30/2,5	
F0862791	F0862791000	0	VITE M8X40 UNI 5737 CL:8.8 ▫	





V = verde - vert - green - grün

PIANTONE (500 - 520 - 530)

COLUMNA  
PLANTON

STEERING COLUMN  
LENKSÄULE

DALLA MACCHINA  
DE LA MAQUINA  
DE LA MACHINE  
FROM THE MACHINE  
AB DER MASCHINE

★ N.

07.01

21631 (530)

155330 (520)

02.09.1996

FERRARI

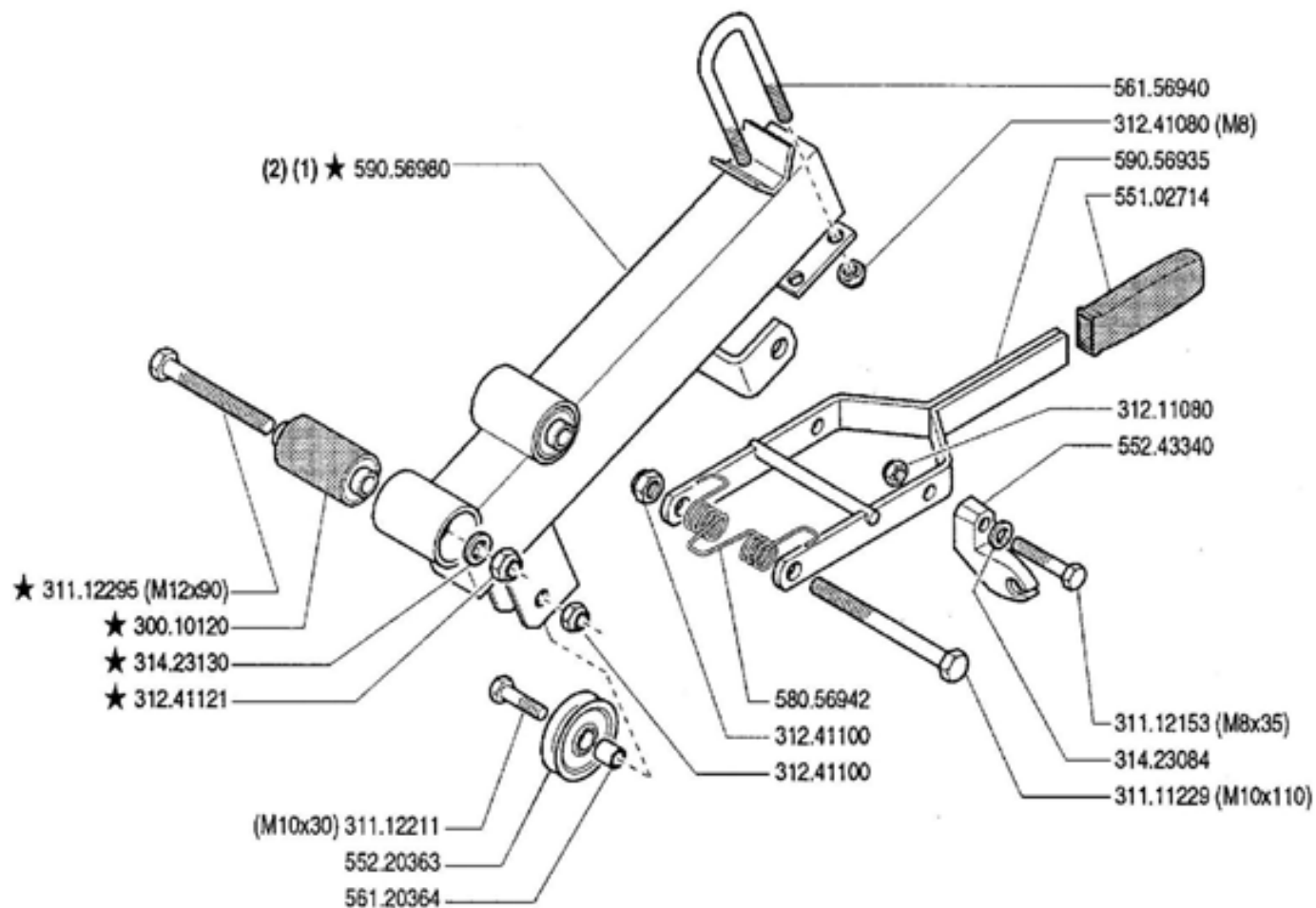
500 serie 95

Pos.	Code	Q.ty	Description	Notes
30040050	30040050	0	RECTANGULAR TERMINAL 50X40	
31111229	31111229	0	SCREW TE M10X110 UNI 5737 8G	
31112153	31112153	0	SCREW TE M8X35 UNI 5739 8G	
31112211	31112211	0	SCREW TE M10X30 UNI 5739	
31211080	31211080	0	NUT M8	
31241080	31241080	0	SELFLOCK NUT M8	
31241100	31241100	0	SELFLOCK NUT M10 6S	
31423084	31423084	0	SPRING WASHER 8,4	
55102714	55102714	0	KNOB	
55220363	55220363	0	PULLEY	
55243340	55243340	0	SUPPORT	
56120364	56120364	0	SLEEVE	
56156940	56156940	0	U BOLT	
58056942	58056942	0	SPRING	
59056925	59056925	0	COLUMN	
59056935	59056935	0	LEVER	

SERIAL

**STEERING COLUMN**  
Version: MF 520, MF 530

CODE REV  
**007\_1\_13140**



(1) (520 - 530)    { tav. 07.02 }  
 (2) (500)        { tav. 01.02 }    sostituisce 590.56925  
                       { tav. 09.02 }

**FERRARI**

500 serie 95

**PIANTONE (500-510-520-530)**

STEERING COLUMN  
COLUMNNA

PLANTON  
LENKSÄULE

DALLA MACCHINA  
DE LA MAGINA  
DE LA MACHINE  
FROM THE MACHINE  
AB DER MASCHINE

★N.

22690 (530)

158833 (520)

80952 (500)

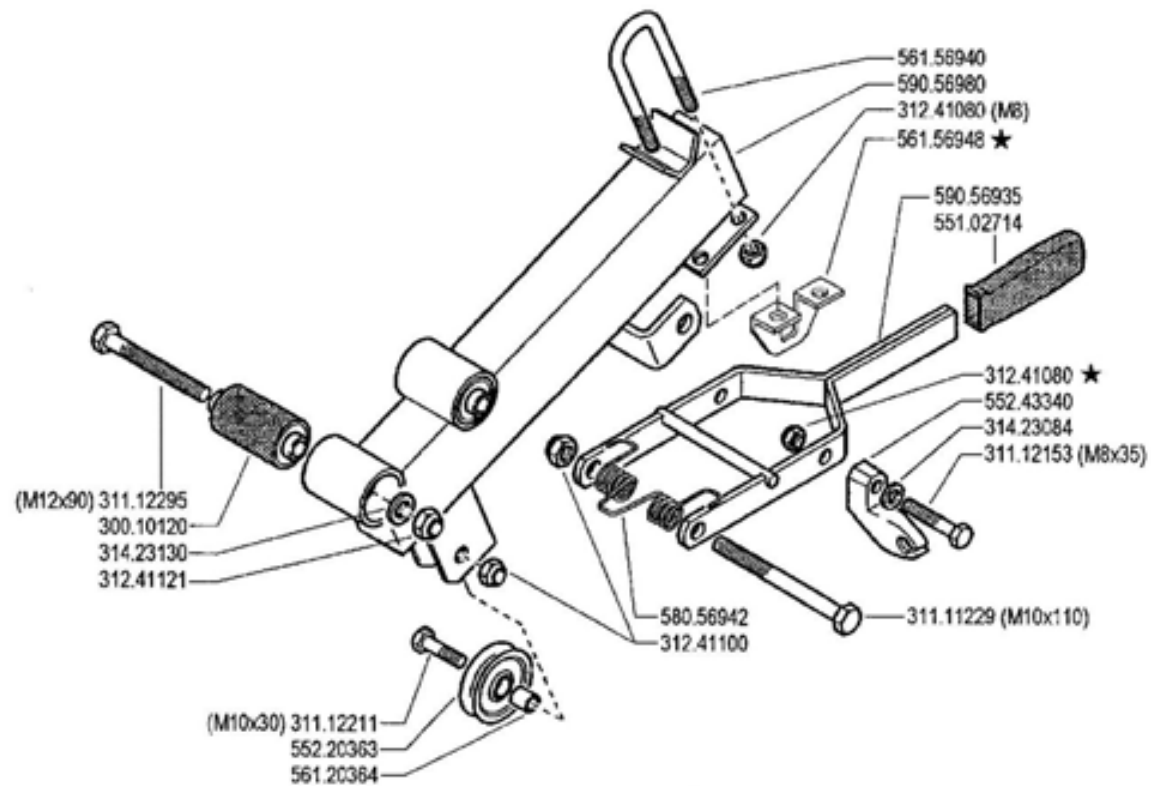
**07** 02

9/1997

Mod

ZF/ME

Pos.	Code	Q.ty	Description	Notes
30010120	30010120	0	SILENT-BLOCK 12X40X58X66	
31111229	31111229	0	SCREW TE M10X110 UNI 5737 8G	
31112153	31112153	0	SCREW TE M8X35 UNI 5739 8G	
31112211	31112211	0	SCREW TE M10X30 UNI 5739	
31112295	31112295	0	SCREW TE M12X90 UNI 5737	
31211080	31211080	0	NUT M8	
31241080	31241080	0	SELFLOCK NUT M8	
31241100	31241100	0	SELFLOCK NUT M10 6S	
31241121	31241121	0	SELFLOCK NUT M12	
31423084	31423084	0	SPRING WASHER 8,4	
31423130	31423130	0	SPRING WASHER 13	
55102714	55102714	0	KNOB	
55220363	55220363	0	PULLEY	
55243340	55243340	0	SUPPORT	
56120364	56120364	0	SLEEVE	
56156940	56156940	0	U BOLT	
58056942	58056942	0	SPRING	
59056935	59056935	0	LEVER	
59056980	59056980	0	COLUMN	



**FERRARI**

**500** serie 95

**PIANTONE (500 - 510 - 520 - 530 - 530S - 530S2)**

STEERING COLUMN  
COLUMNNA

PLANTON  
LENKSÄULE

DALLA MACCHINA  
DE LA MAQUINA  
DE LA MACHINE  
FROM THE MACHINE  
AB DER MASCHINE

AGGIORNAMENTO

REVISION

MISE A JOUR

APLAZAMIENTO

ANPASSUNG

**07**

Rev.

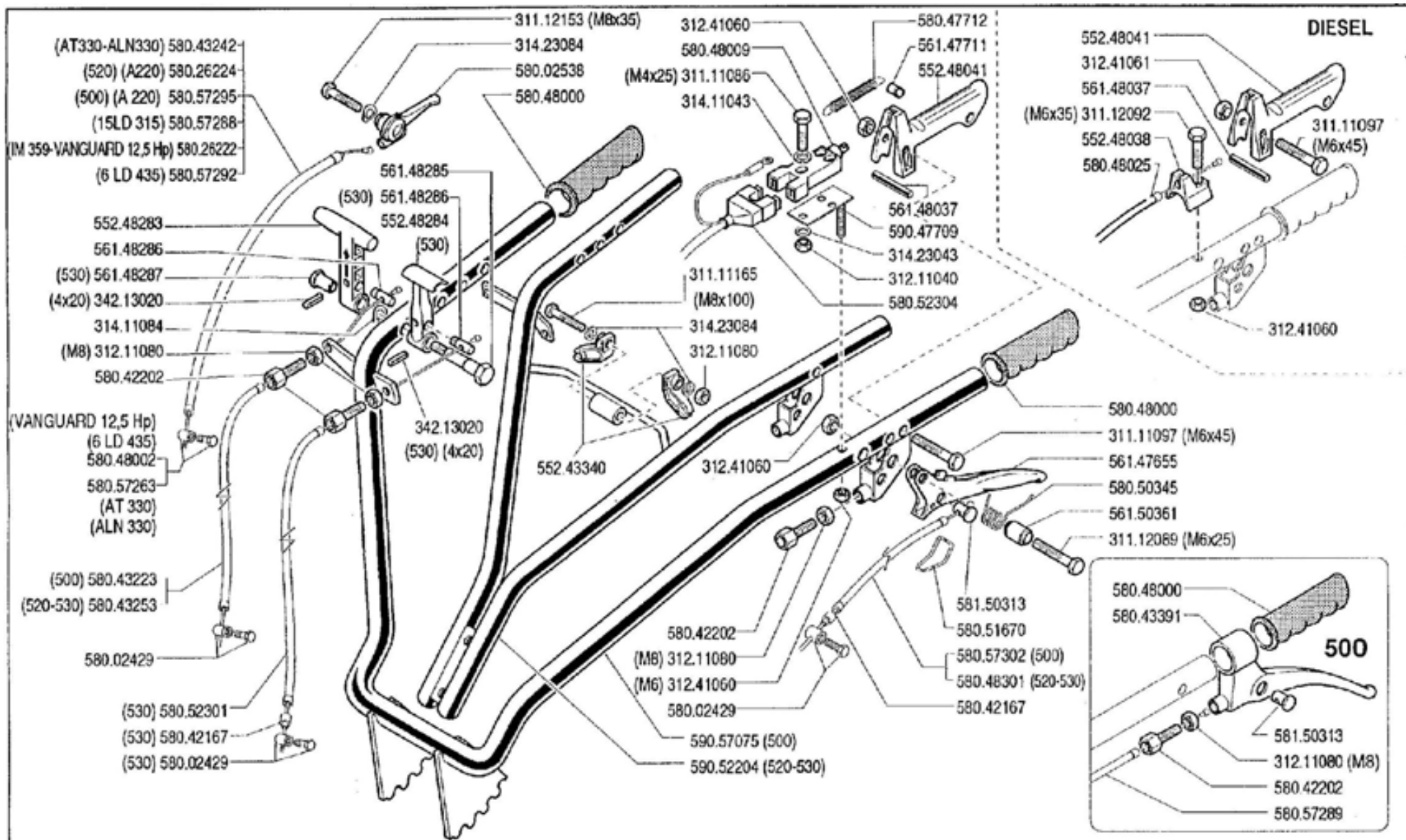
**3**

12/2002

★N

3100

Pos.	Code	Q.ty	Description	Notes
30010120	30010120	0	SILENT-BLOCK 12X40X58X66	
31111229	31111229	0	SCREW TE M10X110 UNI 5737 8G	
31112153	31112153	0	SCREW TE M8X35 UNI 5739 8G	
31112211	31112211	0	SCREW TE M10X30 UNI 5739	
31112295	31112295	0	SCREW TE M12X90 UNI 5737	
31241080	31241080	0	SELFLOCK NUT M8	
31241100	31241100	0	SELFLOCK NUT M10 6S	
31241121	31241121	0	SELFLOCK NUT M12	
31423084	31423084	0	SPRING WASHER 8,4	
31423130	31423130	0	SPRING WASHER 13	
55102714	55102714	0	KNOB	
55220363	55220363	0	PULLEY	
55243340	55243340	0	SUPPORT	
56120364	56120364	0	SLEEVE	
56156940	56156940	0	U BOLT	
56156948	56156948	0	STOP	
58056942	58056942	0	SPRING	
59056935	59056935	0	LEVER	
59056980	59056980	0	COLUMN	



**FERRARI**

**500** serie **95**

**MANUBRIO**

MANILLAR  
 MANCHERON

HANDLEBAR  
 LENKER

GALLA MACCHINA  
 DE LA MAQUINA  
 DE LA MACHINE  
 FROM THE MACHINE  
 AB DER MASCHINE

N.

**08.00**

01.06.1995

Pos.	Code	Q.ty	Description	Notes
31111086	31111086	0	SCREW TE M4X25 UNI 5739 8G	
31111097	31111097	0	SCREW TE M6X45 UNI 5737 8G	
31111165	31111165	0	SCREW TE M8X100 UNI 5737 8G	
31112089	31112089	0	SCREW TE M6X25 UNI 5739 8G	
31112092	31112092	0	SCREW TE M6X35 UNI 5739 8G	
31112153	31112153	0	SCREW TE M8X35 UNI 5739 8G	
31211040	31211040	0	NUT M4	
31211080	31211080	0	NUT M8	
31241060	31241060	0	SELFLOCK NUT M6	
31241061	31241061	0	SELFLOCK NUT M6 6S	
31411043	31411043	0	WASHER 4,3X9	
31411084	31411084	0	WASHER 8,4x17	
31423043	31423043	0	SPRING WASHER 4,3	
31423084	31423084	0	SPRING WASHER 8,4	
34213020	34213020	0	ROLL PIN	
55243340	55243340	0	SUPPORT	
55248038	55248038	0	STOP	
55248041	55248041	0	LEVER	
55248283	55248283	0	COMMAND LEVER	
55248284	55248284	0	LEVER	
56147655	56147655	0	CLUTCH LEVER	
56147711	56147711	0	PIN	
56148037	56148037	0	LEVER STOP	
56148285	56148285	0	PIN	
56148286	56148286	0	PIN	
56148287	56148287	0	STUD BOLT	
56150361	56150361	0	SPACER	
58002429	58002429	0	CLAMPING SCREW	
58002538	58002538	0	COMMAND LEVER	
58026222	58026222	0	LINE AND SHEATH	
58026224	58026224	0	LINE AND SHEATH	
58042167	58042167	0	SHEATH TERMINAL	
58042202	58042202	0	ADJUSTING SCREW	
58043223	58043223	0	LINE AND SHEATH	

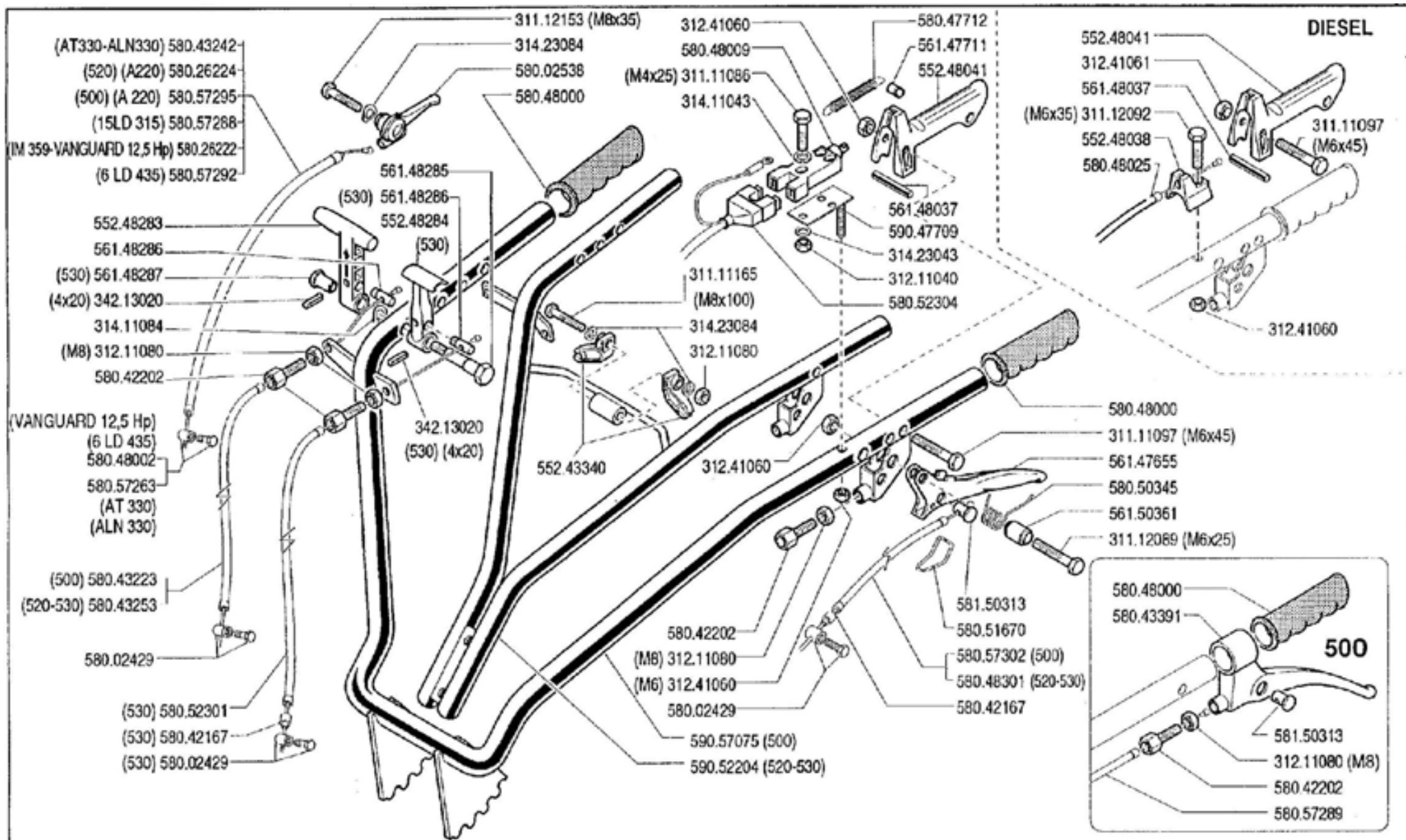
SERIAL

**HANDLEBAR**

CODE REV

**008\_0\_13197**





**FERRARI**

**500** serie **95**

**MANUBRIO**

MANILLAR  
 MANCHERON

HANDLEBAR  
 LENKER

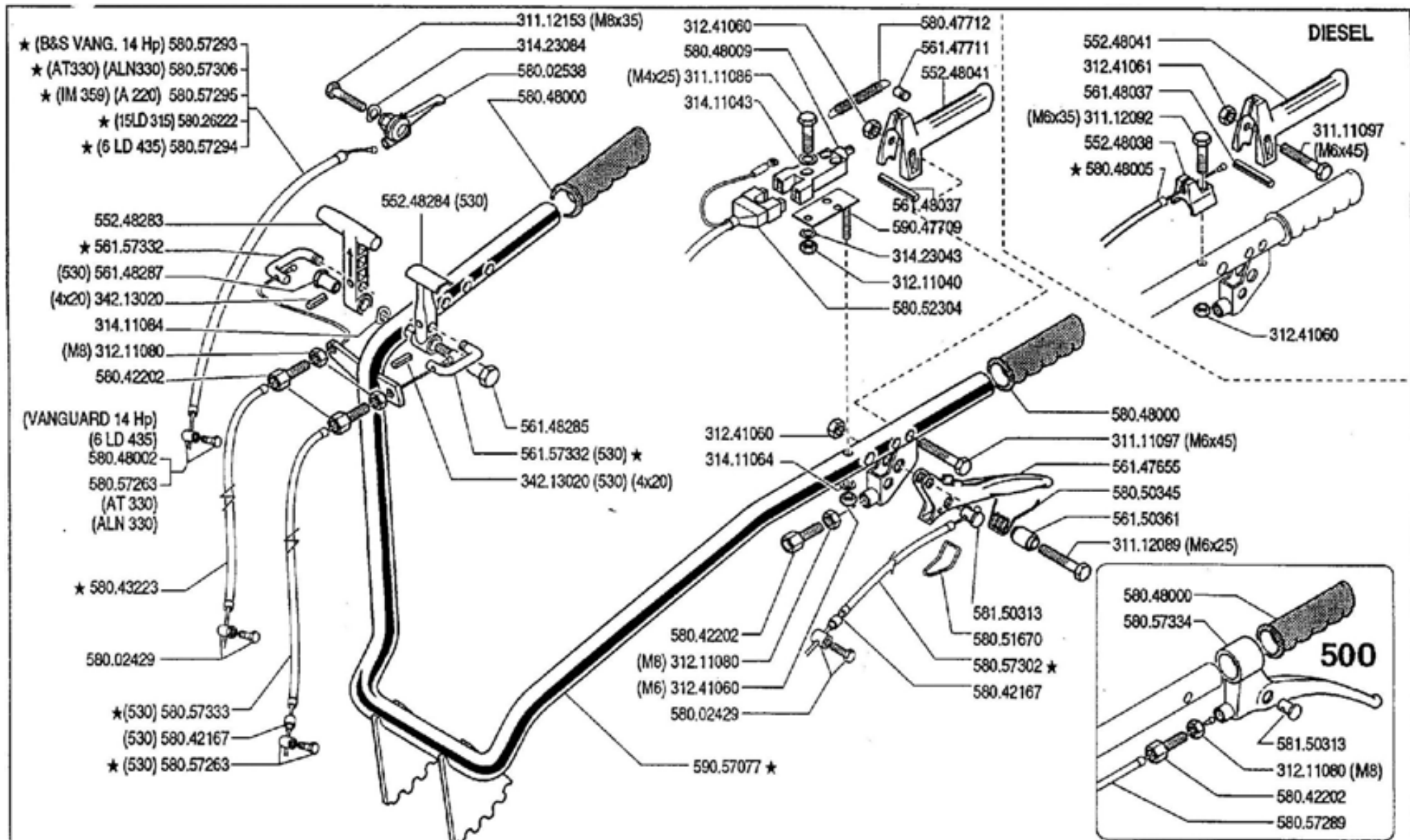
GALLA MACCHINA  
 DE LA MAQUINA  
 DE LA MACHINE  
 FROM THE MACHINE  
 AB DER MASCHINE

N.

**08.00**

01.06.1995

Pos.	Code	Q.ty	Description	Notes
58043242	58043242	0	LINE AND SHEATH	
58043253	58043253	0	LINE AND SHEATH	
58043391	58043391	0	LEVER	
58047712	58047712	0	SPRING	
58048000	58048000	0	KNOB	
58048002	58048002	0	CLAMPING SCREW	
58048009	58048009	0	SWITCH	
58048025	58048025	0	LINE AND SHEATH	
58048301	58048301	0	LINE AND SHEATH	
58050345	58050345	0	SPRING	
58051670	58051670	0	CLEVIS	
58052301	58052301	0	LINE AND SHEATH	
58052304	58052304	0	WIRING	
58057263	58057263	0	CLAMPING SCREW	
58057288	58057288	0	LINE AND SHEATH	
58057289	58057289	0	LINE AND SHEATH	
58057292	58057292	0	LINE AND SHEATH	
58057295	58057295	0	LINE AND SHEATH	
58057302	58057302	0	LINE AND SHEATH	
58150313	58150313	0	CABLE CLAMP	
59047709	59047709	0	SWITCH SUPPORT	
59052204	59052204	0	COMPLETE HANDLE BAR	
59057075	59057075	0	COMPLETE HANDLE BAR	



**FERRARI**

**500** serie 95

**MANUBRIO**

MANILLAR  
MANCHERON

HANDLEBAR  
LENKER

DALLA MACCHINA  
DE LA MAQUINA  
DE LA MACHINE  
FROM THE MACHINE  
AB DER MASCHINE

★ N.

21832 (530)

156401 (520)

80724 (500)

**08.01**

02.09.1996

Pos.	Code	Q.ty	Description	Notes
31111086	31111086	0	SCREW TE M4X25 UNI 5739 8G	
31111097	31111097	0	SCREW TE M6X45 UNI 5737 8G	
31112089	31112089	0	SCREW TE M6X25 UNI 5739 8G	
31112092	31112092	0	SCREW TE M6X35 UNI 5739 8G	
31112153	31112153	0	SCREW TE M8X35 UNI 5739 8G	
31211040	31211040	0	NUT M4	
31211080	31211080	0	NUT M8	
31241060	31241060	0	SELFLOCK NUT M6	
31241061	31241061	0	SELFLOCK NUT M6 6S	
31411043	31411043	0	WASHER 4,3X9	
31411064	31411064	0	WASHER 6,4x12,5	
31411084	31411084	0	WASHER 8,4x17	
31423043	31423043	0	SPRING WASHER 4,3	
31423084	31423084	0	SPRING WASHER 8,4	
34213020	34213020	0	ROLL PIN	
55248038	55248038	0	STOP	
55248041	55248041	0	LEVER	
55248283	55248283	0	COMMAND LEVER	
55248284	55248284	0	LEVER	
56147655	56147655	0	CLUTCH LEVER	
56147711	56147711	0	PIN	
56148037	56148037	0	LEVER STOP	
56148285	56148285	0	PIN	
56148287	56148287	0	STUD BOLT	
56150361	56150361	0	SPACER	
56157332	56157332	0	U BOLT	
58002429	58002429	0	CLAMPING SCREW	
58002538	58002538	0	COMMAND LEVER	
58026222	58026222	0	LINE AND SHEATH	
58042167	58042167	0	SHEATH TERMINAL	
58042202	58042202	0	ADJUSTING SCREW	
58043223	58043223	0	LINE AND SHEATH	
58047712	58047712	0	SPRING	
58048000	58048000	0	KNOB	

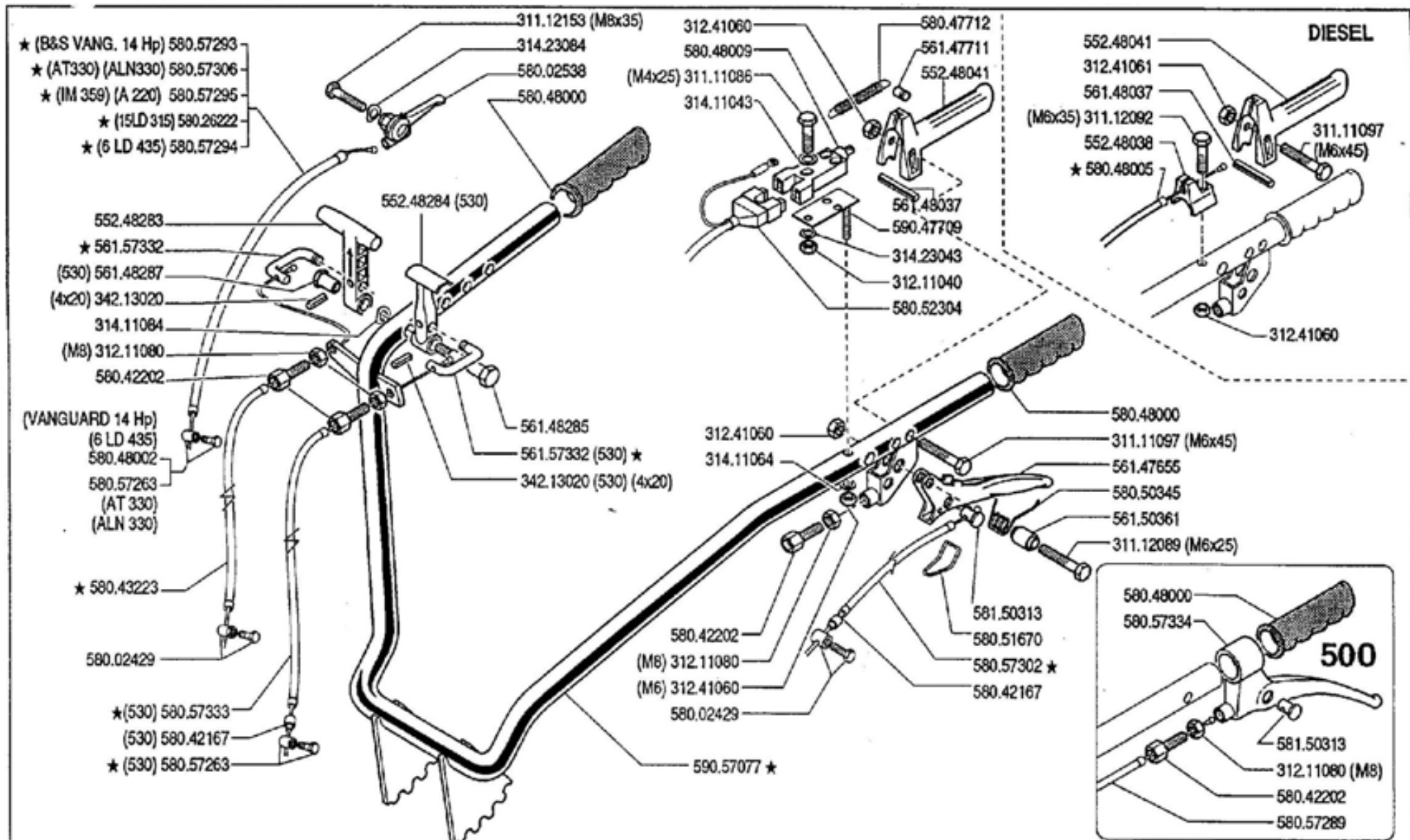
SERIAL

## HANDLEBAR

Version: MF 520, MF 530, MF 500

CODE REV

008\_1\_13255



**FERRARI**

**500** serie 95

**MANUBRIO**

MANILLAR  
MANCHERON

HANDLEBAR  
LENKER

DALLA MACCHINA  
DE LA MAQUINA  
DE LA MACHINE  
FROM THE MACHINE  
AB DER MASCHINE

★ N.

21832 (530)

156401 (520)

80724 (500)

**08.01**

02.09.1996

Pos.	Code	Q.ty	Description	Notes
58048002	58048002	0	CLAMPING SCREW	
58048005	58048005	0	LINE AND SHEATH	
58048009	58048009	0	SWITCH	
58050345	58050345	0	SPRING	
58051670	58051670	0	CLEVIS	
58052304	58052304	0	WIRING	
58057263	58057263	0	CLAMPING SCREW	
58057289	58057289	0	LINE AND SHEATH	
58057293	58057293	0	LINE AND SHEATH	
58057294	58057294	0	LINE AND SHEATH	
58057295	58057295	0	LINE AND SHEATH	
58057302	58057302	0	LINE AND SHEATH	
58057306	58057306	0	LINE AND SHEATH	
58057333	58057333	0	LINE AND SHEATH	
58057334	58057334	0	LEVER	
58150313	58150313	0	CABLE CLAMP	
59047709	59047709	0	SWITCH SUPPORT	
59057077	59057077	0	COMPLETE HANDLE BAR	

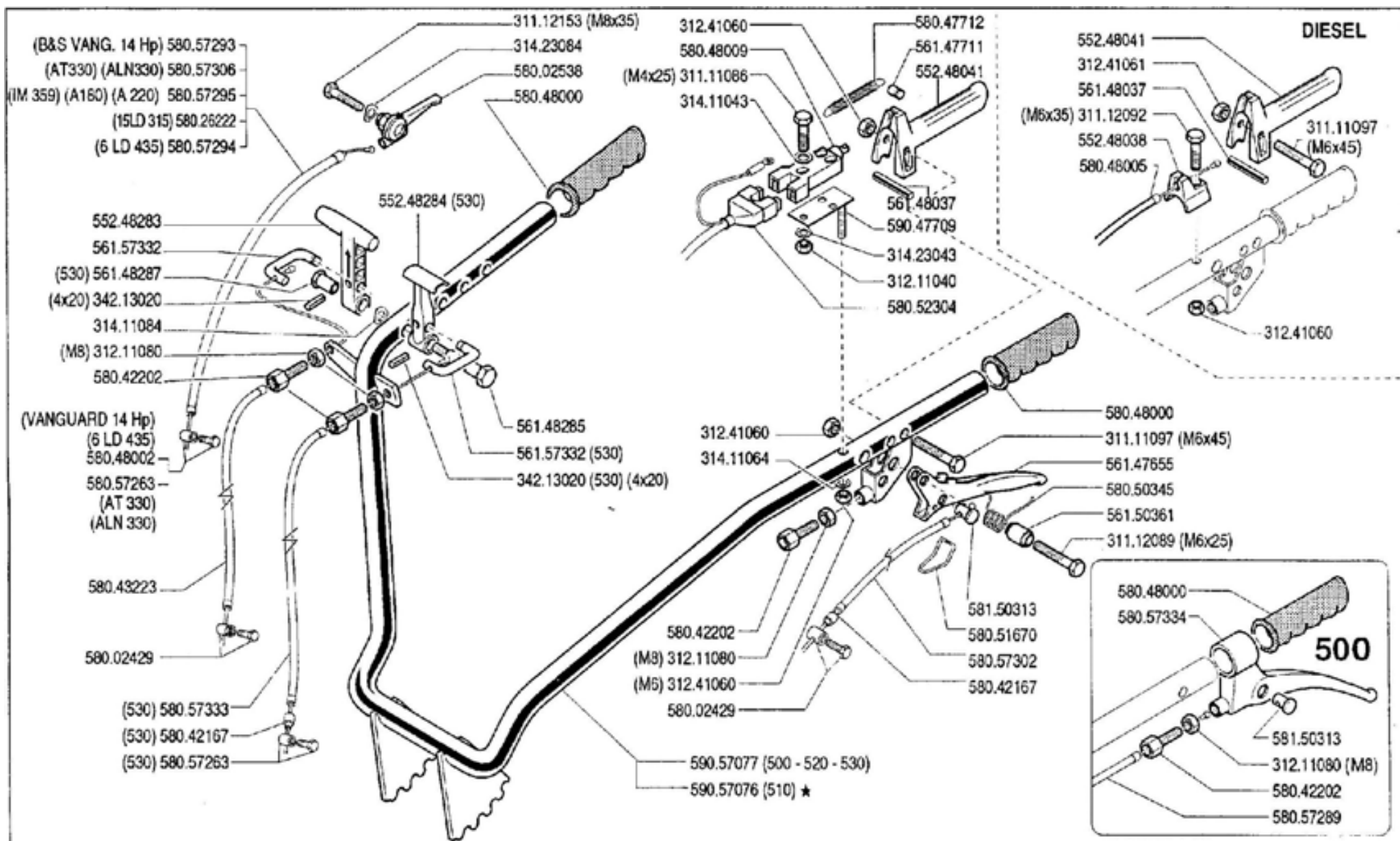
SERIAL

**HANDLEBAR**

Version: MF 520, MF 530, MF 500

CODE REV

**008\_1\_13255**



**FERRARI**

**500** serie 95

**MANUBRIO**

MANILLAR  
MANCHERON

HANDLEBAR  
LENKER

DALLA MACCHINA  
DE LA MAQUINA  
DE LA MACHINE  
FROM THE MACHINE  
AB DER MASCHINE

AGGIORNAMENTO	<b>08.02</b>
REVISION	
APLAZAMIENTO	
ANPASSUNG	

★ N.

**08.02**

9/1997

Pos.	Code	Q.ty	Description	Notes
31111086	31111086	0	SCREW TE M4X25 UNI 5739 8G	
31111097	31111097	0	SCREW TE M6X45 UNI 5737 8G	
31112089	31112089	0	SCREW TE M6X25 UNI 5739 8G	
31112092	31112092	0	SCREW TE M6X35 UNI 5739 8G	
31112153	31112153	0	SCREW TE M8X35 UNI 5739 8G	
31211040	31211040	0	NUT M4	
31211080	31211080	0	NUT M8	
31241060	31241060	0	SELFLOCK NUT M6	
31241061	31241061	0	SELFLOCK NUT M6 6S	
31411043	31411043	0	WASHER 4,3X9	
31411064	31411064	0	WASHER 6,4x12,5	
31411084	31411084	0	WASHER 8,4x17	
31423043	31423043	0	SPRING WASHER 4,3	
31423084	31423084	0	SPRING WASHER 8,4	
34213020	34213020	0	ROLL PIN	
55248038	55248038	0	STOP	
55248041	55248041	0	LEVER	
55248283	55248283	0	COMMAND LEVER	
55248284	55248284	0	LEVER	
56147655	56147655	0	CLUTCH LEVER	
56147711	56147711	0	PIN	
56148037	56148037	0	LEVER STOP	
56148285	56148285	0	PIN	
56148287	56148287	0	STUD BOLT	
56150361	56150361	0	SPACER	
56157332	56157332	0	U BOLT	
58002429	58002429	0	CLAMPING SCREW	
58002538	58002538	0	COMMAND LEVER	
58026222	58026222	0	LINE AND SHEATH	
58042167	58042167	0	SHEATH TERMINAL	
58042202	58042202	0	ADJUSTING SCREW	
58043223	58043223	0	LINE AND SHEATH	
58047712	58047712	0	SPRING	
58048000	58048000	0	KNOB	

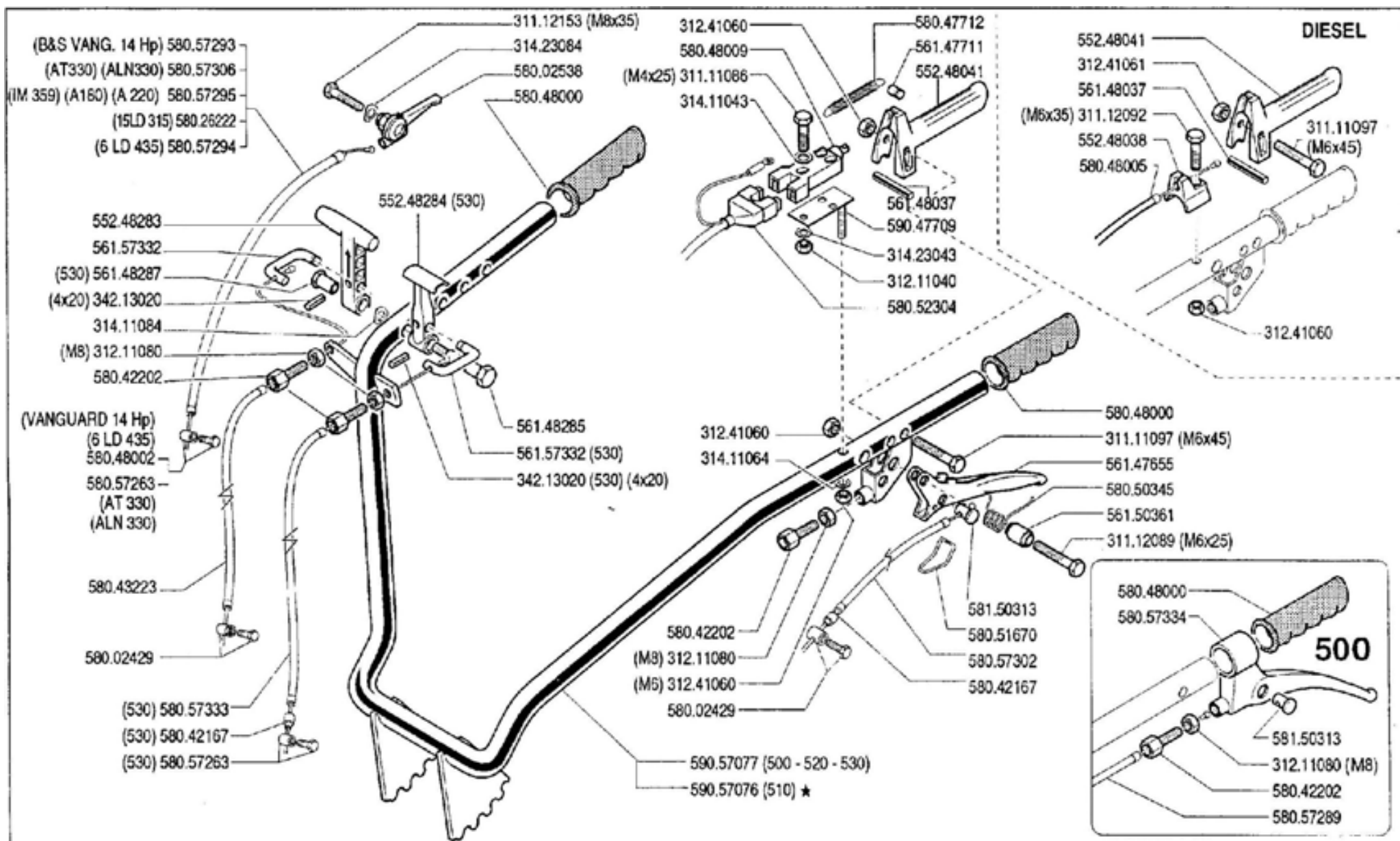
SERIAL

**HANDLEBAR**

CODE REV

**008\_2\_13308**





**FERRARI**

**500** serie 95

**MANUBRIO**

MANILLAR  
MANCHERON

HANDLEBAR  
LENKER

DALLA MACCHINA  
DE LA MAQUINA  
DE LA MACHINE  
FROM THE MACHINE  
AB DER MASCHINE

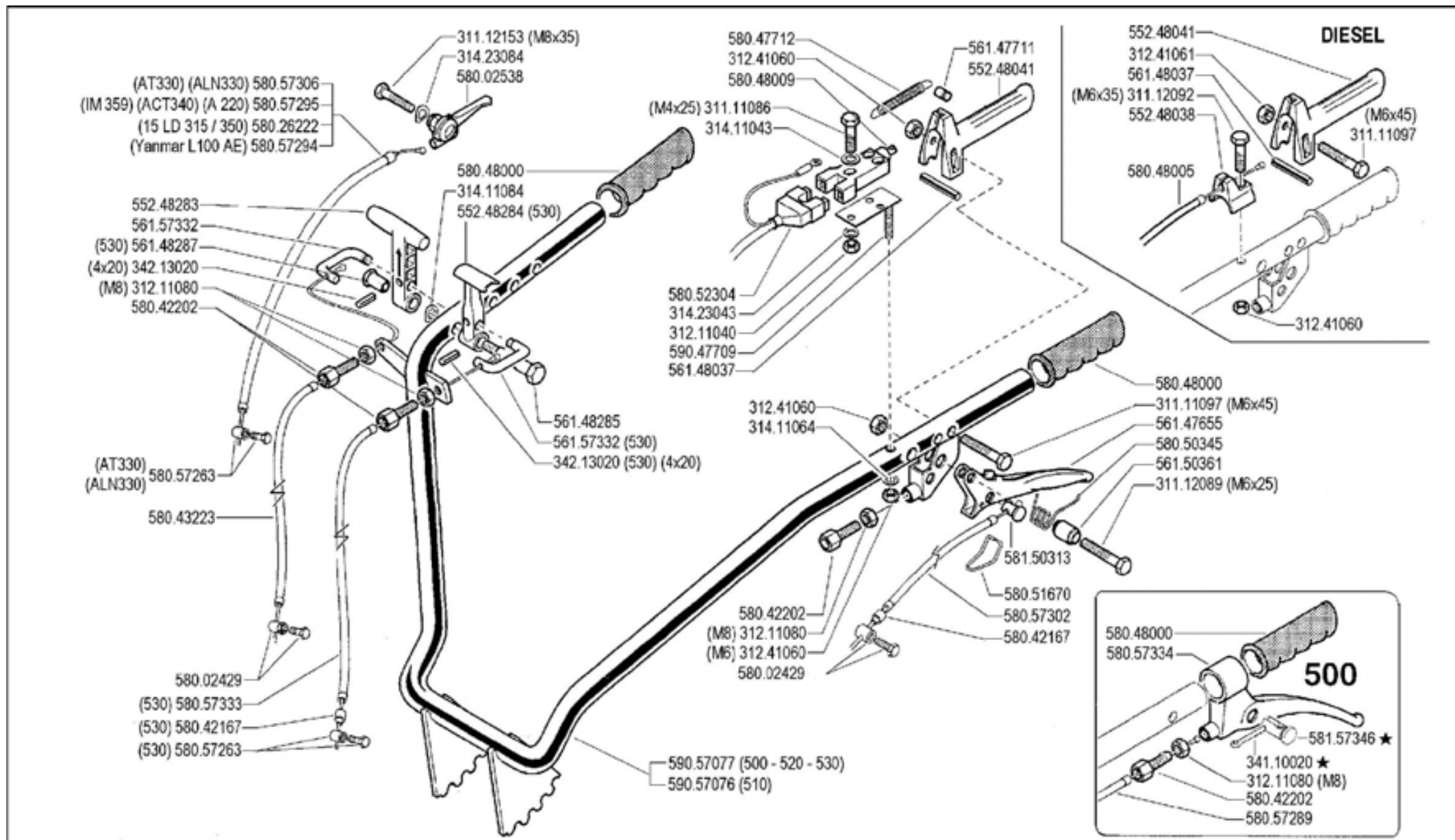
AGGIORNAMENTO  
REVISION  
MISE A JOUR  
APLAZAMIENTO  
ANPASSUNG

**08.02**

9/1997

★ N.

Pos.	Code	Q.ty	Description	Notes
58048002	58048002	0	CLAMPING SCREW	
58048005	58048005	0	LINE AND SHEATH	
58048009	58048009	0	SWITCH	
58050345	58050345	0	SPRING	
58051670	58051670	0	CLEVIS	
58052304	58052304	0	WIRING	
58057263	58057263	0	CLAMPING SCREW	
58057289	58057289	0	LINE AND SHEATH	
58057293	58057293	0	LINE AND SHEATH	
58057294	58057294	0	LINE AND SHEATH	
58057295	58057295	0	LINE AND SHEATH	
58057302	58057302	0	LINE AND SHEATH	
58057306	58057306	0	LINE AND SHEATH	
58057333	58057333	0	LINE AND SHEATH	
58057334	58057334	0	LEVER	
58150313	58150313	0	CABLE CLAMP	
59047709	59047709	0	SWITCH SUPPORT	
59057076	59057076	0	COMPLETE HANDLE BAR	
59057077	59057077	0	COMPLETE HANDLE BAR	



**FERRARI**

**500** serie 95

**MANUBRIO (500 - 510 - 520 - 530)**

HANDLEBAR  
MANILLAR

MANCHERON  
LENKER

DALLA MACCHINA  
DE LA MAQUINA  
DE LA MACHINE  
FROM THE MACHINE  
AS DER MASCHINE

AGGIORNAMENTO

REVISION

MISE A JOUR

APLAZAMIENTO

ANPASSUNG

**08** 03

1/2000

★N.

20/96

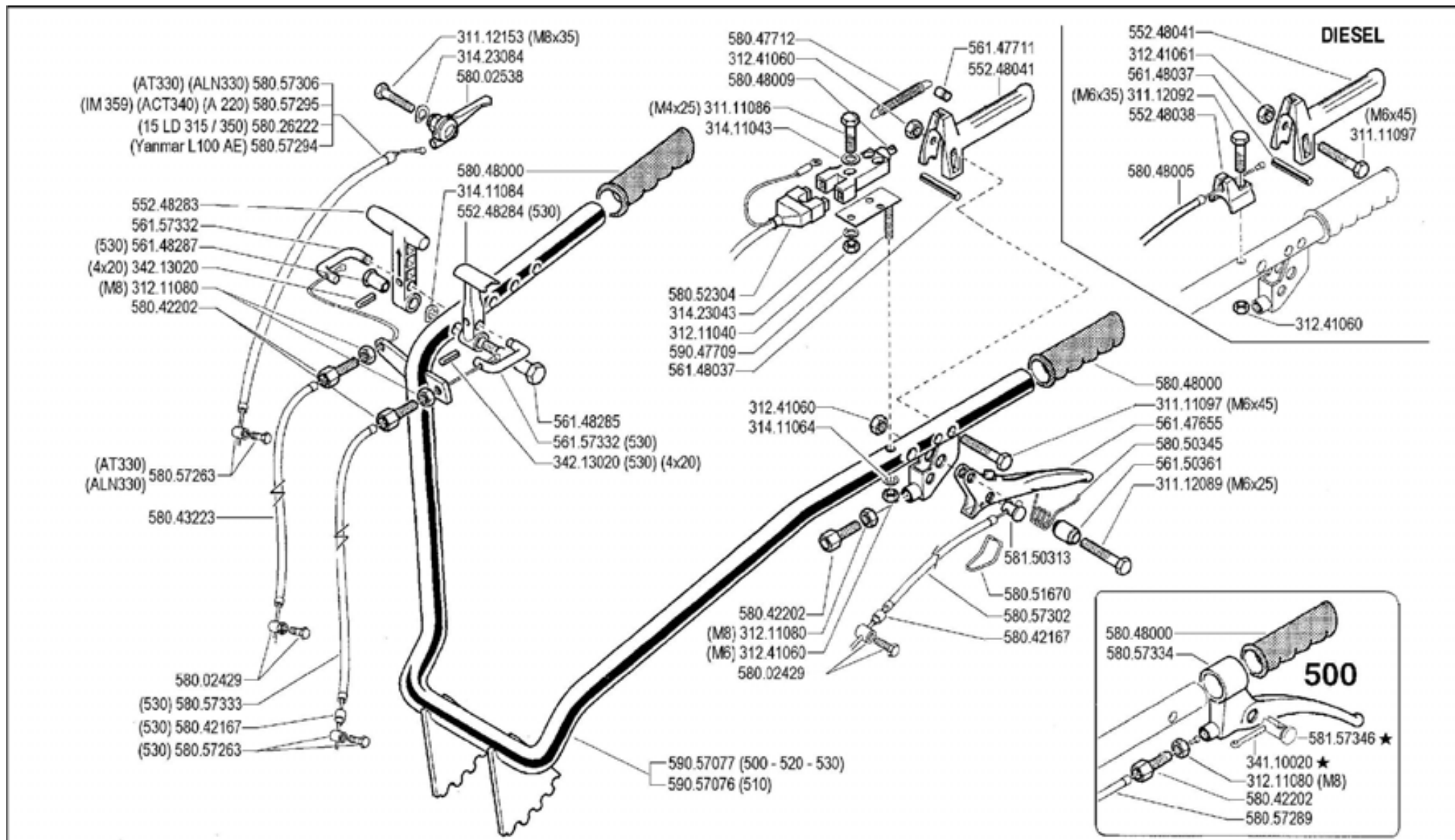
Pos.	Code	Q.ty	Description	Notes
31111086	31111086	0	SCREW TE M4X25 UNI 5739 8G	
31111097	31111097	0	SCREW TE M6X45 UNI 5737 8G	
31112089	31112089	0	SCREW TE M6X25 UNI 5739 8G	
31112092	31112092	0	SCREW TE M6X35 UNI 5739 8G	
31112153	31112153	0	SCREW TE M8X35 UNI 5739 8G	
31211040	31211040	0	NUT M4	
31211080	31211080	0	NUT M8	
31241060	31241060	0	SELFLOCK NUT M6	
31241061	31241061	0	SELFLOCK NUT M6 6S	
31411043	31411043	0	WASHER 4,3X9	
31411064	31411064	0	WASHER 6,4x12,5	
31411084	31411084	0	WASHER 8,4x17	
31423043	31423043	0	SPRING WASHER 4,3	
31423084	31423084	0	SPRING WASHER 8,4	
34110020	34110020	0	SPLIT PIN	
34213020	34213020	0	ROLL PIN	
55248038	55248038	0	STOP	
55248041	55248041	0	LEVER	
55248283	55248283	0	COMMAND LEVER	
55248284	55248284	0	LEVER	
56147655	56147655	0	CLUTCH LEVER	
56147711	56147711	0	PIN	
56148037	56148037	0	LEVER STOP	
56148285	56148285	0	PIN	
56148287	56148287	0	STUD BOLT	
56150361	56150361	0	SPACER	
56157332	56157332	0	U BOLT	
58002429	58002429	0	CLAMPING SCREW	
58002538	58002538	0	COMMAND LEVER	
58026222	58026222	0	LINE AND SHEATH	
58042167	58042167	0	SHEATH TERMINAL	
58042202	58042202	0	ADJUSTING SCREW	
58043223	58043223	0	LINE AND SHEATH	
58047712	58047712	0	SPRING	

SERIAL

**HANDLEBAR (500-510-520-530)**

CODE REV

**008\_3\_13362**



**FERRARI**

**500** serie 95

**MANUBRIO (500 - 510 - 520 - 530)**

HANDLEBAR  
MANILLAR

MANCHERON  
LENKER

DALLA MACCHINA  
DE LA MAQUINA  
DE LA MACHINE  
FROM THE MACHINE  
AS DER MASCHINE

AGGIORNAMENTO

REVISION

MISE A JOUR

APLAZAMIENTO

ANPASSUNG

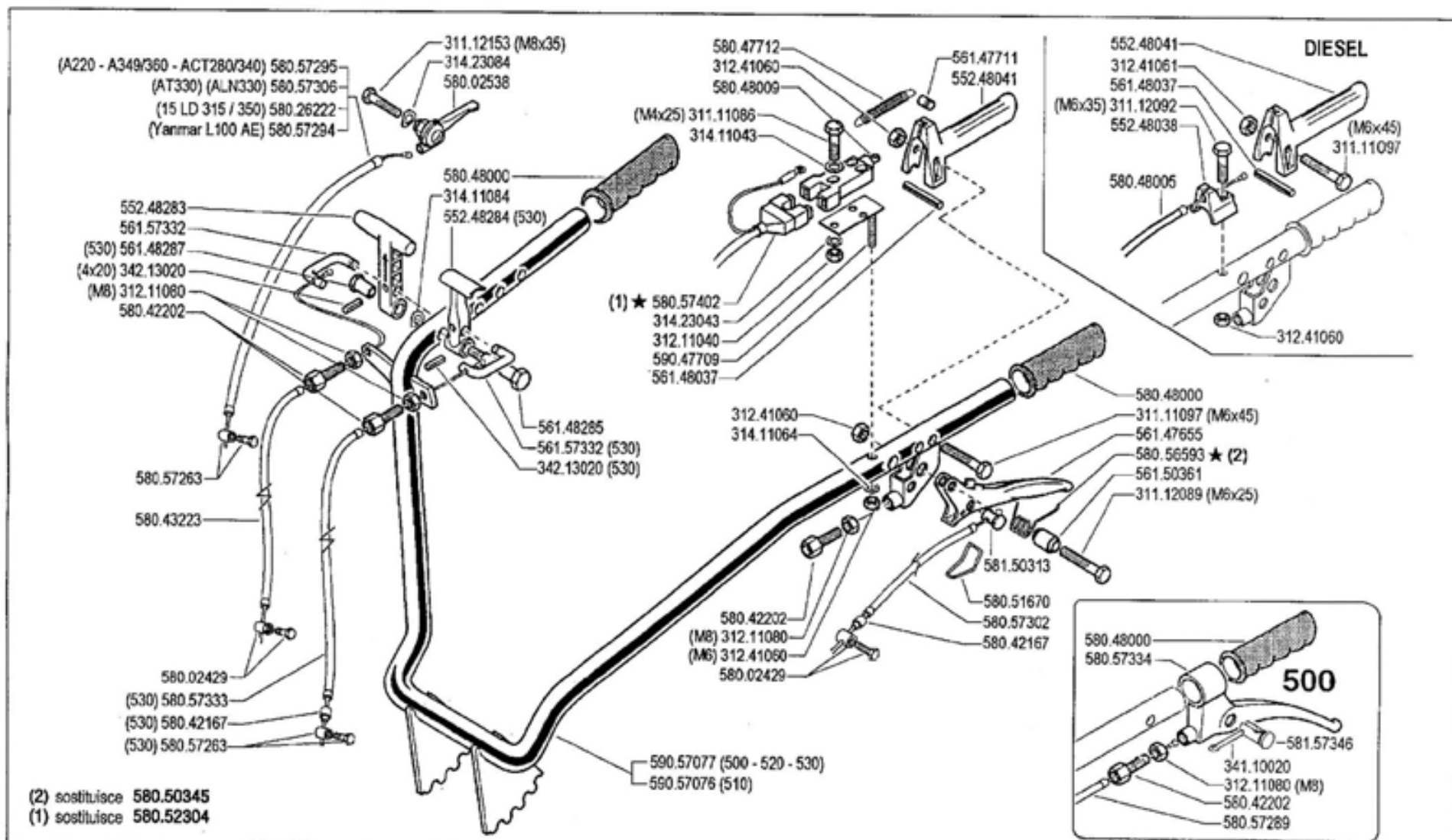
**08** 03

1/2000

★N.

ZENTRO

Pos.	Code	Q.ty	Description	Notes
58048000	58048000	0	KNOB	
58048005	58048005	0	LINE AND SHEATH	
58048009	58048009	0	SWITCH	
58050345	58050345	0	SPRING	
58051670	58051670	0	CLEVIS	
58052304	58052304	0	WIRING	
58057263	58057263	0	CLAMPING SCREW	
58057289	58057289	0	LINE AND SHEATH	
58057294	58057294	0	LINE AND SHEATH	
58057295	58057295	0	LINE AND SHEATH	
58057302	58057302	0	LINE AND SHEATH	
58057306	58057306	0	LINE AND SHEATH	
58057333	58057333	0	LINE AND SHEATH	
58057334	58057334	0	LEVER	
58150313	58150313	0	CABLE CLAMP	
58157346	58157346	0	CABLE CLAMP	
59047709	59047709	0	SWITCH SUPPORT	
59057076	59057076	0	COMPLETE HANDLE BAR	
59057077	59057077	0	COMPLETE HANDLE BAR	



**FERRARI**

**500** serie 95

MANUBRIO (500 - 510 - 520 - 530)

HANDLEBAR  
 MANILLAR

MANCHERON  
 LENKER

DALLA MACCHINA  
 DE LA MAQUINA  
 DE LA MACHINE  
 FROM THE MACHINE  
 AB DER MASCHINE

AGGIORNAMENTO  
 REVISION  
 MISE A JOUR  
 APLAZAMIENTO  
 ANPASSUNG

**08**

Rev.  
**4**

11/2002

★N.

TRK

Pos.	Code	Q.ty	Description	Notes
31111086	31111086	0	SCREW TE M4X25 UNI 5739 8G	
31111097	31111097	0	SCREW TE M6X45 UNI 5737 8G	
31112089	31112089	0	SCREW TE M6X25 UNI 5739 8G	
31112092	31112092	0	SCREW TE M6X35 UNI 5739 8G	
31112153	31112153	0	SCREW TE M8X35 UNI 5739 8G	
31211040	31211040	0	NUT M4	
31211080	31211080	0	NUT M8	
31241060	31241060	0	SELFLOCK NUT M6	
31241061	31241061	0	SELFLOCK NUT M6 6S	
31411043	31411043	0	WASHER 4,3X9	
31411064	31411064	0	WASHER 6,4x12,5	
31411084	31411084	0	WASHER 8,4x17	
31423043	31423043	0	SPRING WASHER 4,3	
31423084	31423084	0	SPRING WASHER 8,4	
34110020	34110020	0	SPLIT PIN	
34213020	34213020	0	ROLL PIN	
55248038	55248038	0	STOP	
55248041	55248041	0	LEVER	
55248283	55248283	0	COMMAND LEVER	
55248284	55248284	0	LEVER	
56147655	56147655	0	CLUTCH LEVER	
56147711	56147711	0	PIN	
56148037	56148037	0	LEVER STOP	
56148285	56148285	0	PIN	
56148287	56148287	0	STUD BOLT	
56150361	56150361	0	SPACER	
56157332	56157332	0	U BOLT	
58002429	58002429	0	CLAMPING SCREW	
58002538	58002538	0	COMMAND LEVER	
58026222	58026222	0	LINE AND SHEATH	
58042167	58042167	0	SHEATH TERMINAL	
58042202	58042202	0	ADJUSTING SCREW	
58043223	58043223	0	LINE AND SHEATH	
58047712	58047712	0	SPRING	

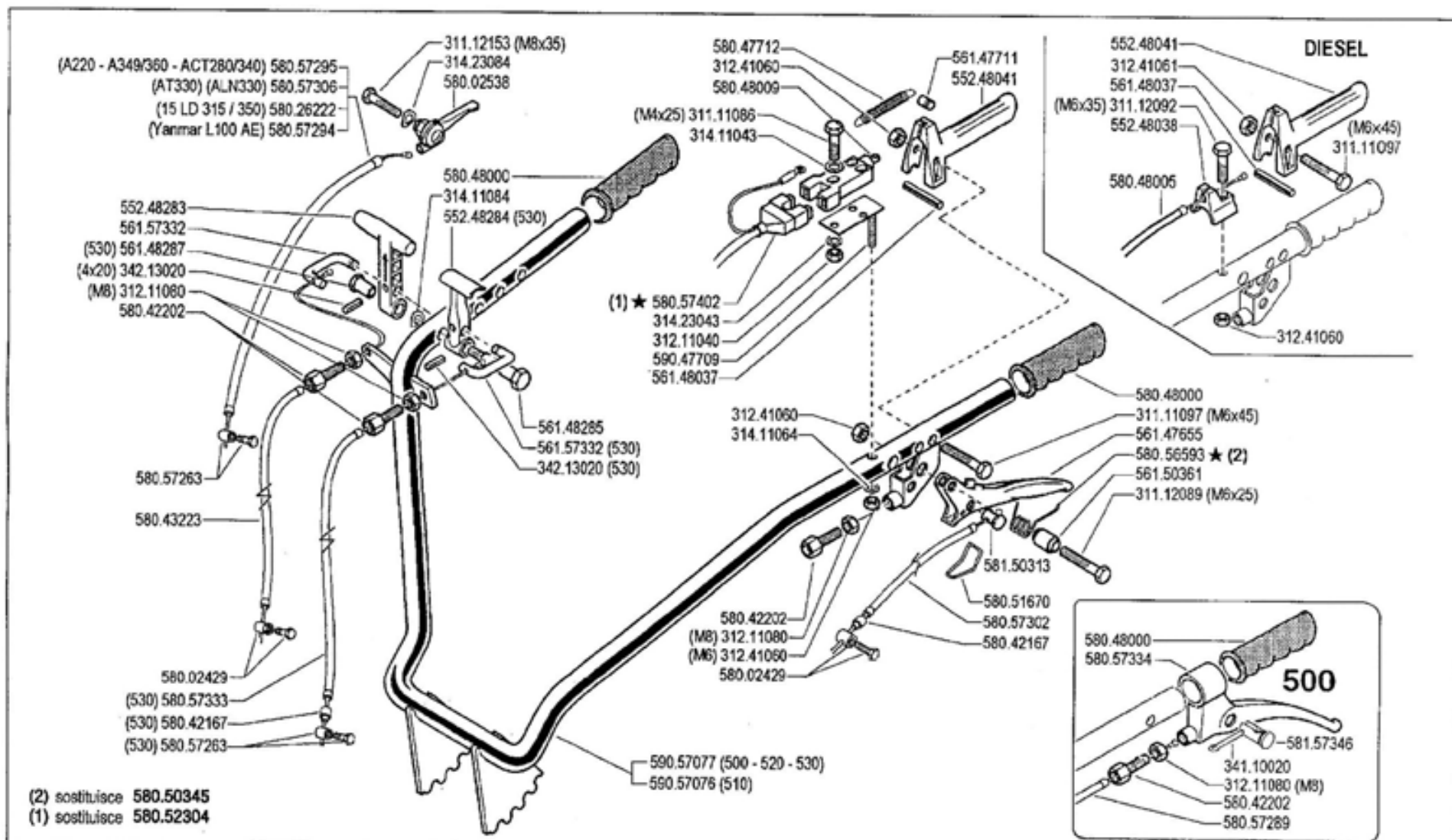
SERIAL

**HANDLEBAR (500-510-520-530)**

CODE REV

**008\_4\_13416**





**FERRARI**

**500** serie 95

MANUBRIO (500 - 510 - 520 - 530)

HANDLEBAR  
MANILLAR

MANCHERON  
LENKER

DALLA MACCHINA  
DE LA MAQUINA  
DE LA MACHINE  
FROM THE MACHINE  
AB DER MASCHINE

AGGIORNAMENTO  
REVISION  
MISE A JOUR  
AFLAZAMIENTO  
ANPASSUNG

**08**

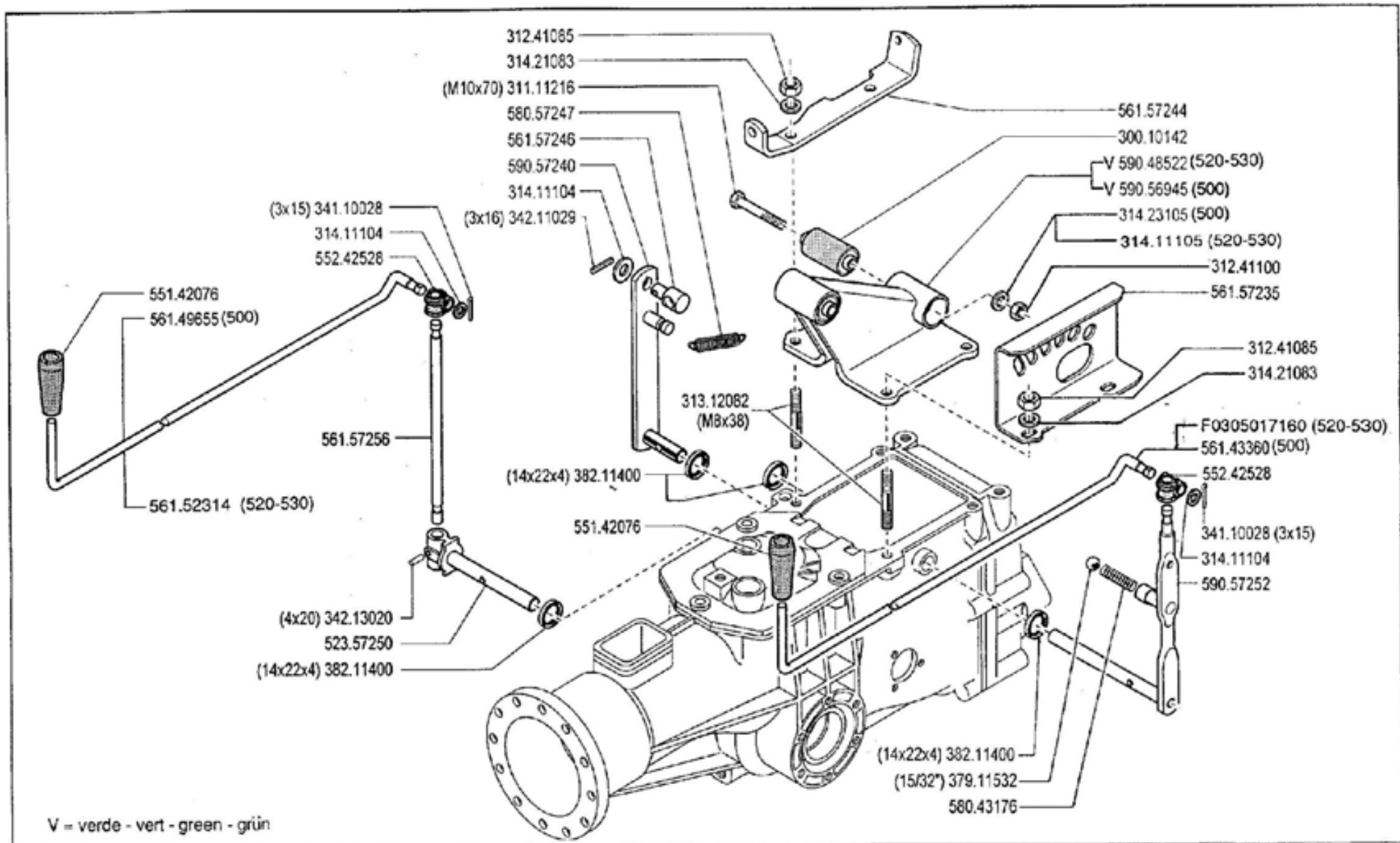
Rev.  
**4**

11/2002

★N.

TRK

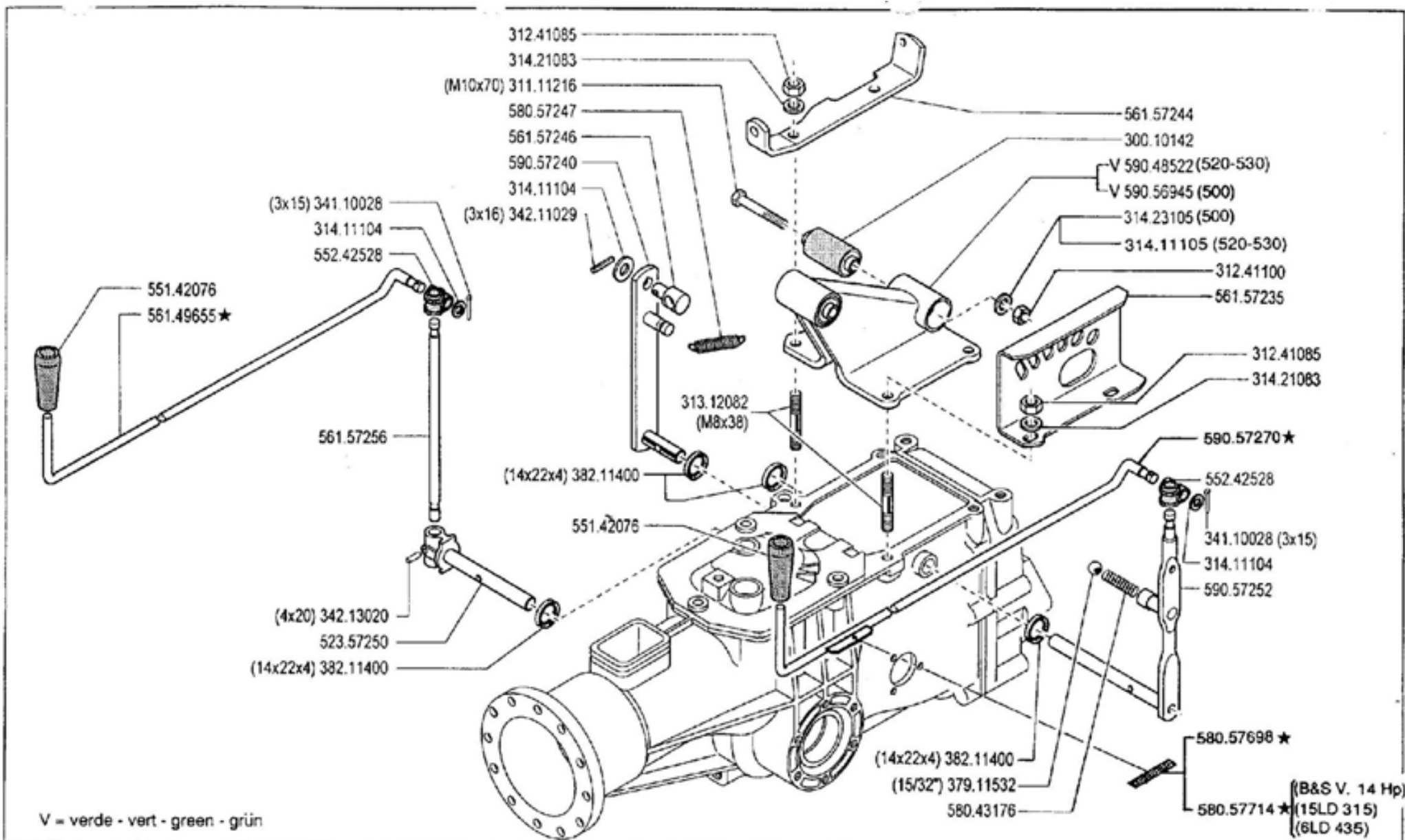
Pos.	Code	Q.ty	Description	Notes
58048000	58048000	0	KNOB	
58048005	58048005	0	LINE AND SHEATH	
58048009	58048009	0	SWITCH	
58051670	58051670	0	CLEVIS	
58056593	58056593	0	SPRING	
58057263	58057263	0	CLAMPING SCREW	
58057289	58057289	0	LINE AND SHEATH	
58057294	58057294	0	LINE AND SHEATH	
58057295	58057295	0	LINE AND SHEATH	
58057302	58057302	0	LINE AND SHEATH	
58057306	58057306	0	LINE AND SHEATH	
58057333	58057333	0	LINE AND SHEATH	
58057334	58057334	0	LEVER	
58057402	58057402	0	WIRING	
58150313	58150313	0	CABLE CLAMP	
58157346	58157346	0	CABLE CLAMP	
59047709	59047709	0	SWITCH SUPPORT	
59057076	59057076	0	COMPLETE HANDLE BAR	
59057077	59057077	0	COMPLETE HANDLE BAR	



V = verde - vert - green - grün

<b>FERRARI</b>	<b>500</b> serie <b>95</b>	<b>COMANDI</b>		DALLA MACCHINA DE LA MACINA DE LA MACHINE FROM THE MACHINE AB DER MASCHINE	N.	<b>09.00</b>
		MANDOS COMMANDES	CONTROLS ANTRIEBE			01.06.1995

Pos.	Code	Q.ty	Description	Notes
30010142	30010142	0	SILENT-BLOCK 10,2X30X45X49	
31111216	31111216	0	SCREW TE M10X70 UNI 5739 8G	
31241085	31241085	0	SELFLOCK NUT M8 6S	
31241100	31241100	0	SELFLOCK NUT M10 6S	
31312082	31312082	0	STUD BOLT M8X38X14X20	
31411104	31411104	0	WASHER 10,5x18	
31411105	31411105	0	WASHER 10,5x21	
31421083	31421083	0	WASHER	
31423105	31423105	0	SPRING WASHER 10,5	
34110028	34110028	0	SPLIT PIN	
34211029	34211029	0	ROLL PIN	
34213020	34213020	0	ROLL PIN	
37911532	37911532	0	BALL 15/32	
38211400	38211400	0	OIL SEAL 14X22X4	
52357250	52357250	0	PIN	
55142076	55142076	0	KNOB	
55242528	55242528	0	JOINT	
56143360	56143360	0	PULL ROD	
56149655	56149655	0	PULL ROD	
56152314	56152314	0	ROD	
56157235	56157235	0	GEAR SELECTOR	
56157244	56157244	0	STOP	
56157246	56157246	0	STOP	
56157256	56157256	0	PTO LEVER	
58043176	58043176	0	SPRING	
58057247	58057247	0	SPRING	
59048522	59048522	0	SUPPORT	
59056945	59056945	0	SUPPORT	
59057240	59057240	0	LEVER	
59057252	59057252	0	GEAR LEVER	
F0305017	F0305017160	0	ROD	



	<b>500</b> serie <b>95</b>	<b>COMANDI</b>		DALLA MACCHINA DE LA MAQUINA DE LA MACHINE FROM THE MACHINE AUS DER MASCHINE	21631 (530) 155330 (520)	<b>09.01</b> 02.09.1996
		MANDOS COMMANDES	CONTROLS ANTRIEBE			

Pos.	Code	Q.ty	Description	Notes
30010142	30010142	0	SILENT-BLOCK 10,2X30X45X49	
31111216	31111216	0	SCREW TE M10X70 UNI 5739 8G	
31241085	31241085	0	SELFLOCK NUT M8 6S	
31241100	31241100	0	SELFLOCK NUT M10 6S	
31312082	31312082	0	STUD BOLT M8X38X14X20	
31411104	31411104	0	WASHER 10,5x18	
31411105	31411105	0	WASHER 10,5x21	
31421083	31421083	0	WASHER	
31423105	31423105	0	SPRING WASHER 10,5	
34110028	34110028	0	SPLIT PIN	
34211029	34211029	0	ROLL PIN	
34213020	34213020	0	ROLL PIN	
37911532	37911532	0	BALL 15/32	
38211400	38211400	0	OIL SEAL 14X22X4	
52357250	52357250	0	PIN	
55142076	55142076	0	KNOB	
55242528	55242528	0	JOINT	
56149655	56149655	0	PULL ROD	
56157235	56157235	0	GEAR SELECTOR	
56157244	56157244	0	STOP	
56157246	56157246	0	STOP	
56157256	56157256	0	PTO LEVER	
58043176	58043176	0	SPRING	
58057247	58057247	0	SPRING	
58057698	58057698	0	DECAL	
58057714	58057714	0	DECAL	
59048522	59048522	0	SUPPORT	
59056945	59056945	0	SUPPORT	
59057240	59057240	0	LEVER	
59057252	59057252	0	GEAR LEVER	
59057270	59057270	0	GEARSHIFT ROD	

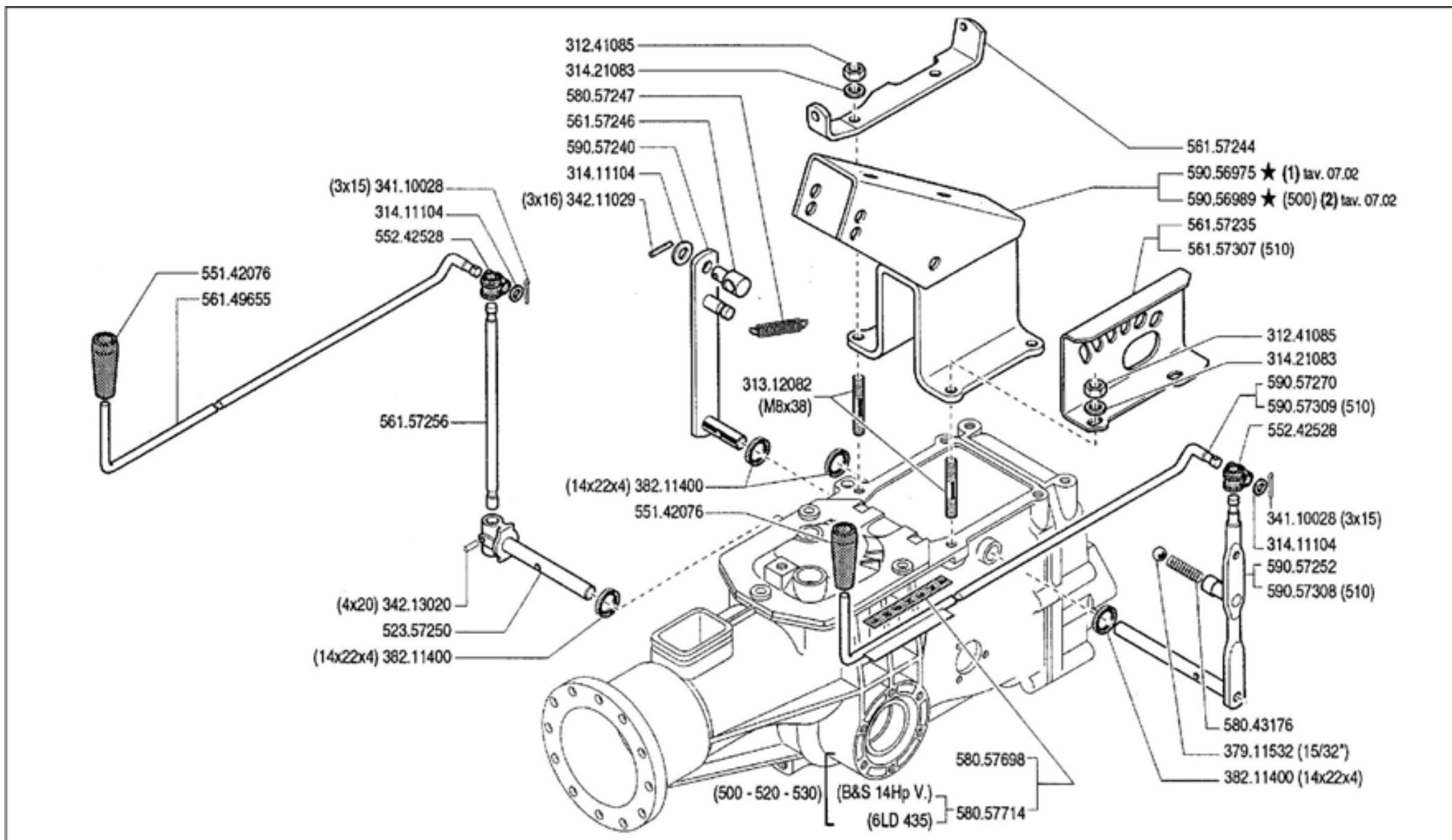
SERIAL

## CONTROLS

Version: MF 500, MF 520, MF 530

CODE REV

009\_1\_13502



**FERRARI**

**500** serie **95**

**COMANDI (500-510-520-530)**

CONTROLS  
MANDOS

COMMANDES  
ANTRIEBE

DALLA MACCHINA  
DE LA MAQUINA  
DE LA MACHINE  
FROM THE MACHINE  
AB DER MASCHINE

★N.

22690 (530)

158833 (520)

★ (510)

80952 (500)

**09** **02**

**9/1997**

Verd

27846

Pos.	Code	Q.ty	Description	Notes
31241085	31241085	0	SELFLOCK NUT M8 6S	
31312082	31312082	0	STUD BOLT M8X38X14X20	
31411104	31411104	0	WASHER 10,5x18	
31421083	31421083	0	WASHER	
34110028	34110028	0	SPLIT PIN	
34211029	34211029	0	ROLL PIN	
34213020	34213020	0	ROLL PIN	
37911532	37911532	0	BALL 15/32	
38211400	38211400	0	OIL SEAL 14X22X4	
52357250	52357250	0	PIN	
55142076	55142076	0	KNOB	
55242528	55242528	0	JOINT	
56149655	56149655	0	PULL ROD	
56157235	56157235	0	GEAR SELECTOR	
56157244	56157244	0	STOP	
56157246	56157246	0	STOP	
56157256	56157256	0	PTO LEVER	
56157307	56157307	0	SELECTOR	
58043176	58043176	0	SPRING	
58057247	58057247	0	SPRING	
58057698	58057698	0	DECAL	
58057714	58057714	0	DECAL	
59056975	59056975	0	SUPPORT	
59056989	59056989	0	SUPPORT	
59057240	59057240	0	LEVER	
59057252	59057252	0	GEAR LEVER	
59057270	59057270	0	GEARSHIFT ROD	
59057308	59057308	0	GEAR LEVER	
59057309	59057309	0	GEARSHIFT ROD	

SERIAL

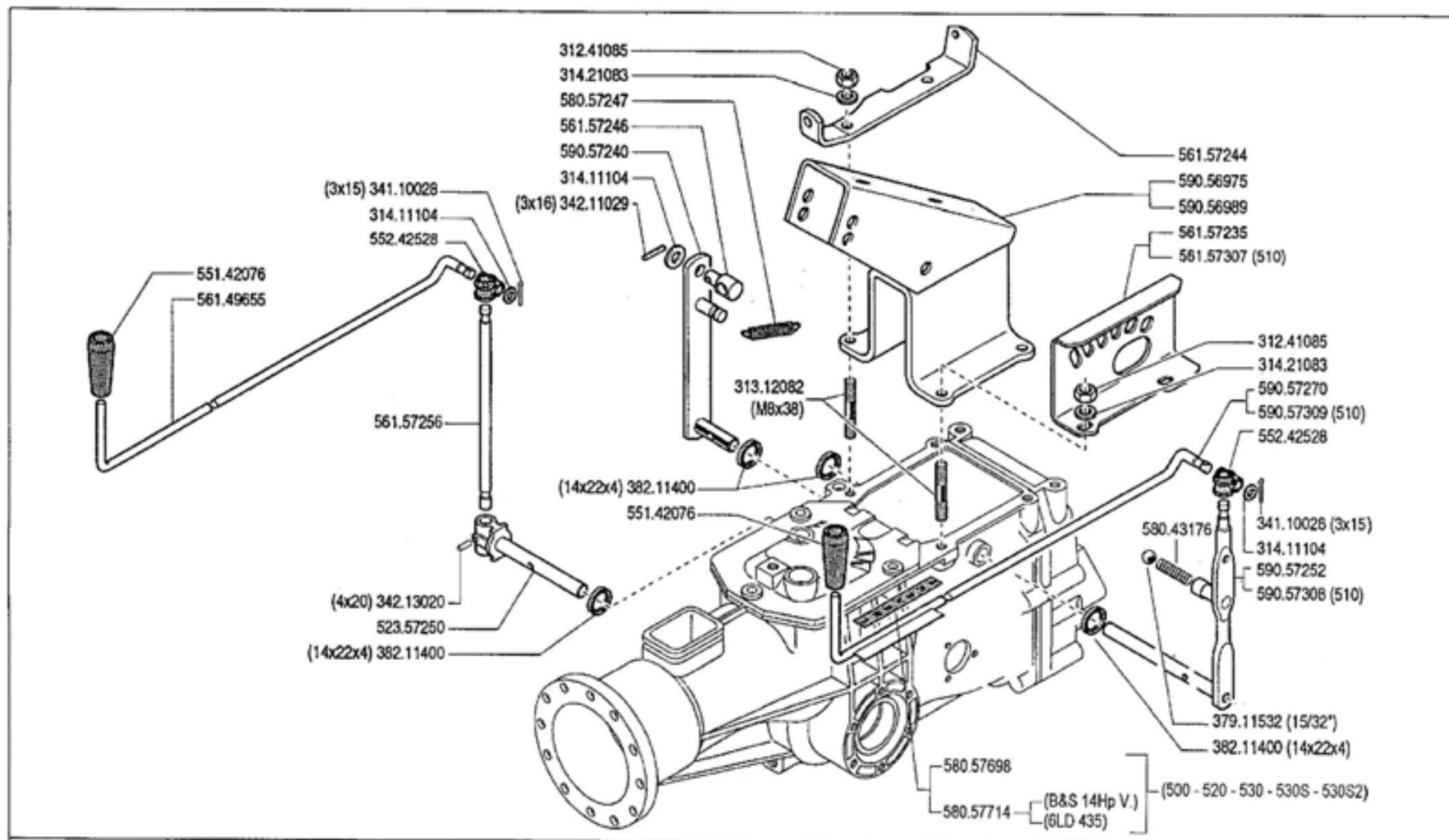
**CONTROLS (500-510-520-530)**

Version: MF 510, MF 530, MF 520, MF 500

CODE REV

**009\_2\_13534**





**FERRARI**

**500** serie **95**

**COMANDI (500 - 510 - 520 - 530 - 530S★ - 530S2★)**

CONTROLS  
MANDOS

COMMANDES  
ANTRIEBE

DALLA MACCHINA  
DE LA MAQUINA  
FROM THE MACHINE  
AB DER MASCHINE

AGGIORNAMENTO

REVISION

MISE A JOUR

APLAZAMIENTO

ANPASSUNG

**09**

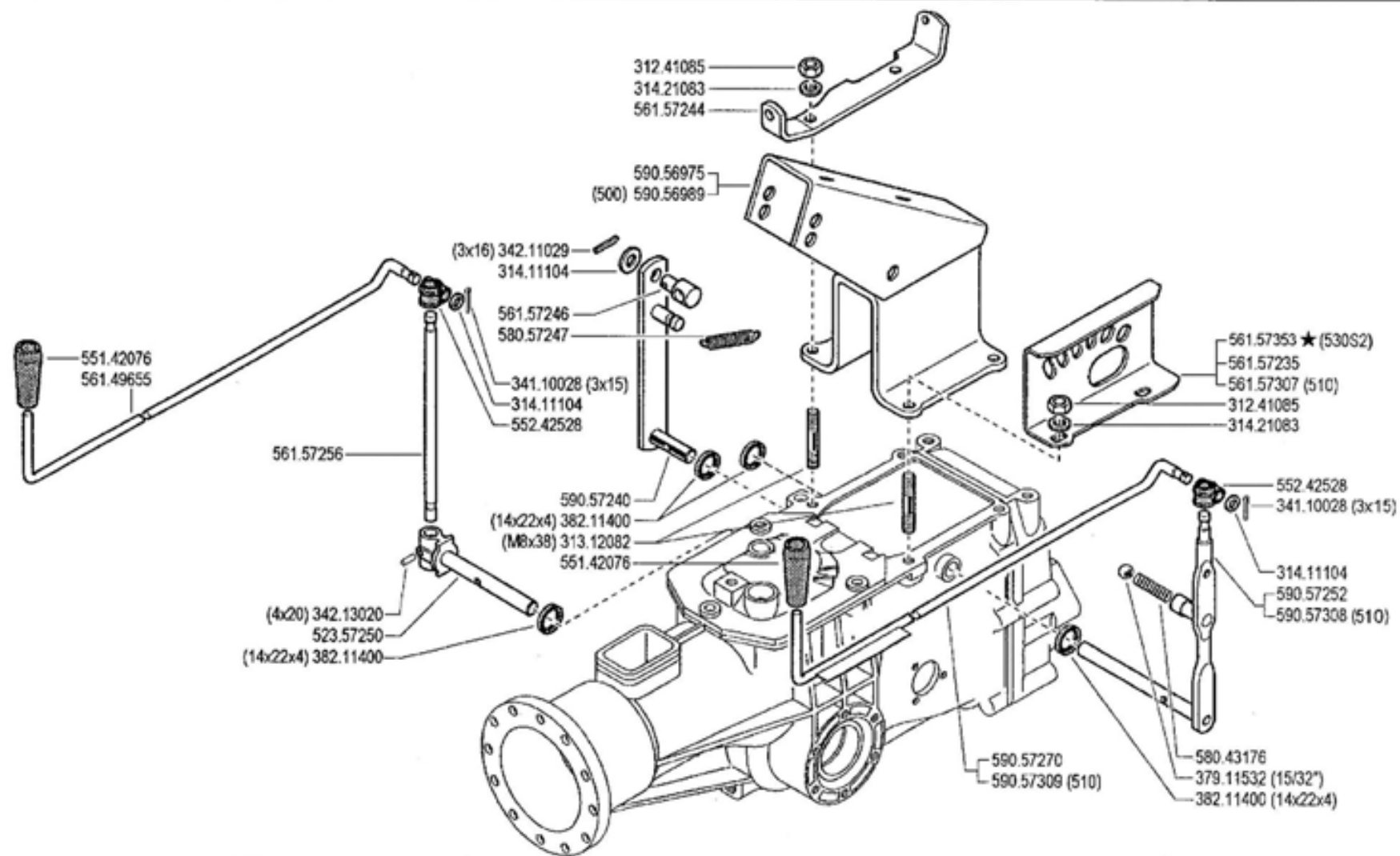
Rev.  
**3**

**10/2001**

★N

3/2001

Pos.	Code	Q.ty	Description	Notes
31241085	31241085	0	SELFLOCK NUT M8 6S	
31312082	31312082	0	STUD BOLT M8X38X14X20	
31411104	31411104	0	WASHER 10,5x18	
31421083	31421083	0	WASHER	
34110028	34110028	0	SPLIT PIN	
34211029	34211029	0	ROLL PIN	
34213020	34213020	0	ROLL PIN	
37911532	37911532	0	BALL 15/32	
38211400	38211400	0	OIL SEAL 14X22X4	
52357250	52357250	0	PIN	
55142076	55142076	0	KNOB	
55242528	55242528	0	JOINT	
56149655	56149655	0	PULL ROD	
56157235	56157235	0	GEAR SELECTOR	
56157244	56157244	0	STOP	
56157246	56157246	0	STOP	
56157256	56157256	0	PTO LEVER	
56157307	56157307	0	SELECTOR	
58043176	58043176	0	SPRING	
58057247	58057247	0	SPRING	
58057698	58057698	0	DECAL	
58057714	58057714	0	DECAL	
59056975	59056975	0	SUPPORT	
59056989	59056989	0	SUPPORT	
59057240	59057240	0	LEVER	
59057252	59057252	0	GEAR LEVER	
59057270	59057270	0	GEARSHIFT ROD	
59057308	59057308	0	GEAR LEVER	
59057309	59057309	0	GEARSHIFT ROD	



**FERRARI**

**500** serie **95**

**COMANDI (500 - 510 - 520 - 530 - 530S2)**

CONTROLS  
MANDOS

COMMANDES  
ANTRIEBE

★ DALLA MACCHINA  
DE LA MAQUINA  
DE LA MACHINE  
FROM THE MACHINE  
AB DER MASCHINE

ALLA MACCHINA  
A LA MAQUINA  
A LA MACHINE  
TO THE MACHINE  
BIS MASCHINE

**09**

Rev.  
**4**

N. 721207  
721255

721222

1/2004

721255

Pos.	Code	Q.ty	Description	Notes
31241085	31241085	0	SELFLOCK NUT M8 6S	
31312082	31312082	0	STUD BOLT M8X38X14X20	
31411104	31411104	0	WASHER 10,5x18	
31421083	31421083	0	WASHER	
34110028	34110028	0	SPLIT PIN	
34211029	34211029	0	ROLL PIN	
34213020	34213020	0	ROLL PIN	
37911532	37911532	0	BALL 15/32	
38211400	38211400	0	OIL SEAL 14X22X4	
52357250	52357250	0	PIN	
55142076	55142076	0	KNOB	
55242528	55242528	0	JOINT	
56149655	56149655	0	PULL ROD	
56157235	56157235	0	GEAR SELECTOR	
56157244	56157244	0	STOP	
56157246	56157246	0	STOP	
56157256	56157256	0	PTO LEVER	
56157307	56157307	0	SELECTOR	
56157353	56157353	0	GEAR SELECTOR	
58043176	58043176	0	SPRING	
58057247	58057247	0	SPRING	
59056975	59056975	0	SUPPORT	
59056989	59056989	0	SUPPORT	
59057240	59057240	0	LEVER	
59057252	59057252	0	GEAR LEVER	
59057270	59057270	0	GEARSHIFT ROD	
59057308	59057308	0	GEAR LEVER	
59057309	59057309	0	GEARSHIFT ROD	

SERIAL

**CONTROLS(500/10/20-530-530S2)**

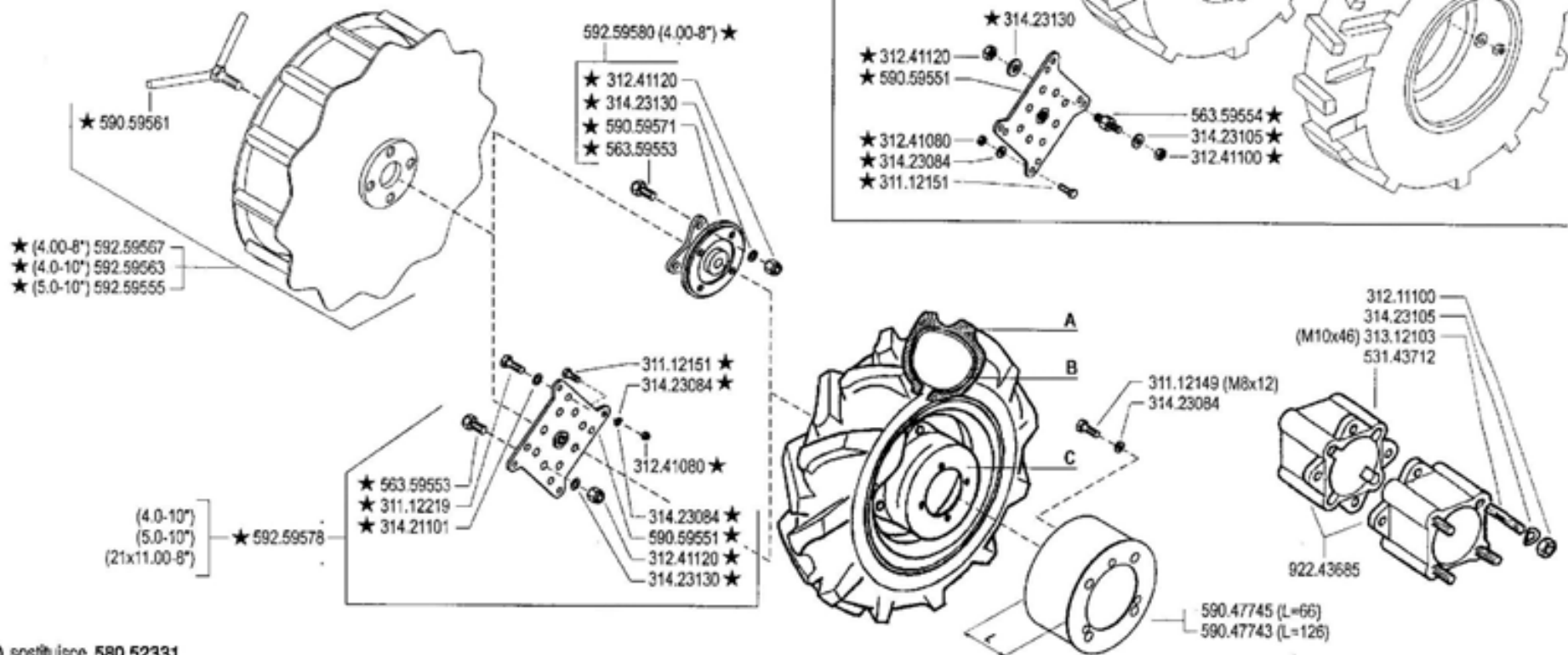
CODE REV

**009\_4\_13594**

	A	B	C
3.50 - 8" (500)	391.13502	394.13502	580.52325
3.50 - 8"	391.13502	394.13502	580.52326
4.00 - 8"	391.14008	394.14008	580.52326
4.0 - 10"	391.14010	394.14010	580.52327
5.0 - 10"	391.15010	394.15010	580.52327
21 x 11.00 - 8"	391.13501	TUBELESS	580.52274 ★ (1)

★ 924.57794

KIT GEMELLAGGIO PER 4.0-10" / 5.0-10"  
 TWINNING KIT FOR 4.0-10" / 5.0-10"  
 JUMELAGE KIT POUR 4.0-10" / 5.0-10"  
 KIT GEMELOS POR 4.0-10" / 5.0-10"  
 ZWILLINGSKIT 4.0-10" / 5.0-10"



(1) sostituisce 580.52331

**FERRARI**

500 serie 95

RUOTE

WHEELS  
 RUEDAS

ROUES  
 RÄDER

DALLA MACCHINA  
 DE LA MAQUINA  
 DE LA MACHINE  
 FROM THE MACHINE  
 AB DER MASCHINE

AGGIORNAMENTO

REVISION

MISE A JOUR

APLAZAMIENTO

ANPASSUNG

11

Rev.  
 3

12/2003

★ N.

71/06

Pos.	Code	Q.ty	Description	Notes
31112149	31112149	0	SCREW TE M8X12 UNI 5739 8G	
31112151	31112151	0	SCREW TE M8X25 UNI 5739 8G	
31112219	31112219	0	SCREW TE M10X25 UNI 5739	
31211100	31211100	0	NUT M10	
31241080	31241080	0	SELFLOCK NUT M8	
31241100	31241100	0	SELFLOCK NUT M10 6S	
31241120	31241120	0	SELFLOCK NUT M12	
31312103	31312103	0	STUD BOLT M10X46X24X16	
31421101	31421101	0	WASHER	
31423084	31423084	0	SPRING WASHER 8,4	
31423105	31423105	0	SPRING WASHER 10,5	
31423130	31423130	0	SPRING WASHER 13	
39113501	39113501	0	TYRE 21X11.00-8	
39113502	39113502	0	TYRE 3.50-8 2PR	
39114008	39114008	0	TYRE 4.00-8 2PR	
39114010	39114010	0	TYRE 4.0-10 2PR	
39115010	39115010	0	TYRE 5.00-10 2PR	
39413502	39413502	0	INNER TUBE	
39414008	39414008	0	INNER TUBE	
39414010	39414010	0	INNER TUBE	
39415010	39415010	0	INNER TUBE	
53143712	53143712	0	SPACER	
56359553	56359553	0	PIN	
56359554	56359554	0	PIN	
58052274	58052274	0	RIM	
58052325	58052325	0	RIM	
58052326	58052326	0	RIM	
58052327	58052327	0	RIM	
59047743	59047743	0	HUBCOVER	
59047745	59047745	0	HUBCOVER	
59059551	59059551	0	FLANGE	
59059561	59059561	0	SCREW	
59059571	59059571	0	FLANGE	
59259555	59259555	0	SUPER-BITE WHEEL X 5.00-10	

SERIAL

## WHEELS

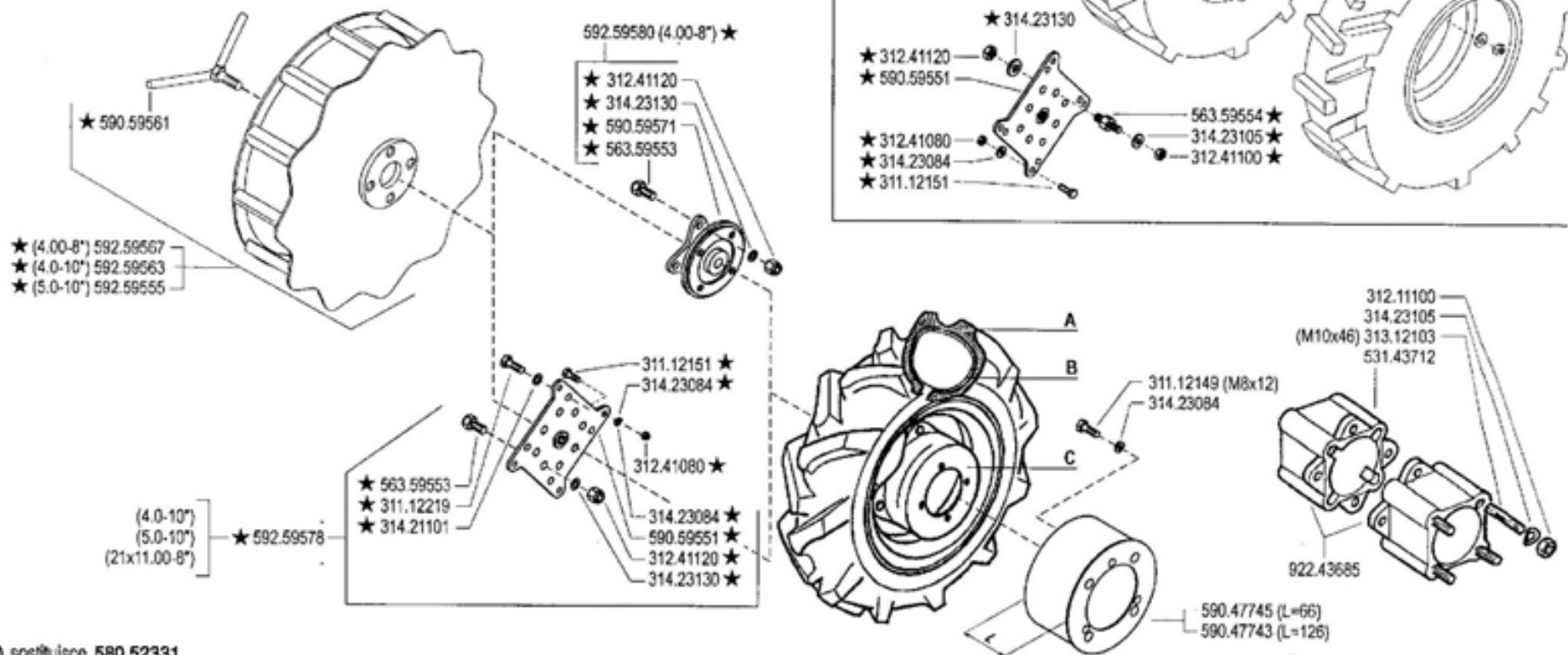
CODE REV

011\_3\_13744

	A	B	C
3.50 - 8" (500)	391.13502	394.13502	580.52325
3.50 - 8"	391.13502	394.13502	580.52326
4.00 - 8"	391.14008	394.14008	580.52326
4.0 - 10"	391.14010	394.14010	580.52327
5.0 - 10"	391.15010	394.15010	580.52327
21 x 11.00 - 8"	391.13501	TUBELESS	580.52274 ★ (1)

★ 924.57794

KIT GEMELLAGGIO PER 4.0-10" / 5.0-10"  
 TWINNING KIT FOR 4.0-10" / 5.0-10"  
 JUMELAGE KIT POUR 4.0-10" / 5.0-10"  
 KIT GEMELOS POR 4.0-10" / 5.0-10"  
 ZWILLINGSKIT 4.0-10" / 5.0-10"



(1) sostituisce 580.52331

**FERRARI**

500 serie 95

RUOTE

WHEELS  
 RUEDAS

ROUES  
 RÄDER

DALLA MACCHINA  
 DE LA MAQUINA  
 DE LA MACHINE  
 FROM THE MACHINE  
 AB DER MASCHINE

AGGIORNAMENTO

REVISION

MISE A JOUR

APLAZAMIENTO

ANPASSUNG

11

Rev.  
 3

12/2003

★ N.

FINE

<b>Pos.</b>	<b>Code</b>	<b>Q.ty</b>	<b>Description</b>	<b>Notes</b>
59259563	59259563	0	WHEEL	
59259567	59259567	0	WHEEL	
59259578	59259578	0	FLANGE KIT	
59259580	59259580	0	FLANGE KIT	
92243685	92243685	0	PAIR WHEEL SPACERS 6 CM	
92457794	92457794	0	ADAPTOR PLATES 10 WHEELS (PAIR)	



# 500

580.52018

## FERRARI

580.52019

## FERRARI

580.52020

# 520

580.52021

# 520

580.52022

# 530

580.52023

# 530

580.52024

# 510

580.52033

# 510

580.52034



580.46901



580.46912

**FRIZIONE  
EMBAYAGE  
EMBRAGUE**

580.46903



580.57698



580.57678



580.46913



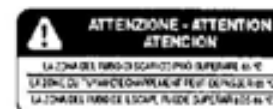
580.57712



580.46902



580.46909



580.46910



580.57722



580.57724

**FERRARI**

# 500 serie 95

ADHESIVOS  
AUTOCOLLANTS

ADESIVI

STICKERS  
AUFKLEBES

DALLA MACCHINA  
DE LA MAQUINA  
DE LA MACHINE  
FROM THE MACHINE  
AB DER MASCHINE

N.

12.00

9/1997

Pos.	Code	Q.ty	Description	Notes
58046901	58046901	0	DECAL	
58046902	58046902	0	DECAL	
58046903	58046903	0	DECAL	
58046909	58046909	0	DECAL	
58046910	58046910	0	DECAL	
58046912	58046912	0	DECAL	
58046913	58046913	0	DECAL	
58052018	58052018	0	DECAL	
58052019	58052019	0	DECAL	
58052020	58052020	0	DECAL	
58052021	58052021	0	DECAL	
58052022	58052022	0	DECAL	
58052023	58052023	0	DECAL	
58052024	58052024	0	DECAL	
58052033	58052033	0	DECAL	
58052034	58052034	0	DECAL	
58057678	58057678	0	DECAL	
58057698	58057698	0	DECAL	
58057712	58057712	0	DECAL	
58057722	58057722	0	DECAL	
58057724	58057724	0	DECAL	



580.52019 (L= 87)  
 580.52029 (L= 140) ★  
 580.52020 (L= 174)



580.52018



580.52033



580.52021



580.52023



580.52034



580.52022



580.52024



580.52144 ★



580.52146 ★



580.52148 ★



580.52145 ★



580.52147 ★



580.52149 ★

**FERRARI**

**500** serie **95**

STICKERS  
ADHESIVOS

**ADESIVI**

AUTOCOLLANTS  
AUFKLEBES

DALLA MACCHINA  
DE LA MAQUINA  
DE LA MACHINE  
FROM THE MACHINE  
AB DER MASCHINE

★N.

AGGIORNAMENTO  
REVISION  
MISE A JOUR  
APLAZAMIENTO  
ANPASSUNG

**12**

Vol.  
**01**

**1/2000**

VERBA

Pos.	Code	Q.ty	Description	Notes
58052018	58052018	0	DECAL	
58052019	58052019	0	DECAL	
58052020	58052020	0	DECAL	
58052021	58052021	0	DECAL	
58052022	58052022	0	DECAL	
58052023	58052023	0	DECAL	
58052024	58052024	0	DECAL	
58052029	58052029	0	DECAL	
58052033	58052033	0	DECAL	
58052034	58052034	0	DECAL	
58052144	58052144	0	DECAL	
58052145	58052145	0	DECAL	
58052146	58052146	0	DECAL	
58052147	58052147	0	DECAL	
58052148	58052148	0	DECAL	
58052149	58052149	0	DECAL	

510 580.52033

510 580.52034



580.52019 (L= 87)  
580.52029 (L= 140)  
580.52020 (L= 174)

515 580.52144

515 580.52145

520 580.52021

520 580.52022

500 580.52018

530 580.52023

530 580.52024

515 L 580.52146

530 S 580.52150 ★

530 S 580.52151 ★

515 L 580.52147

530 S2 580.52154 ★

530 S2 580.52155 ★

515 S 580.52148

515 S 580.52149

FERRARI

500 serie 95

ADESIVI

STICKERS  
ADHESIVOS

AUTOCOLLANTS  
AUFKLEBES

DALLA MACCHINA  
DE LA MAQUINA  
DE LA MACHINE  
FROM THE MACHINE  
AB DER MASCHINE

AGGIORNAMENTO

REVISION

MISE A JOUR

APLAZAMIENTO

ANPASSUNG

12

Rev.  
2

10/2001

★N.

22/01/01

Pos.	Code	Q.ty	Description	Notes
58052018	58052018	0	DECAL	
58052019	58052019	0	DECAL	
58052020	58052020	0	DECAL	
58052021	58052021	0	DECAL	
58052022	58052022	0	DECAL	
58052023	58052023	0	DECAL	
58052024	58052024	0	DECAL	
58052029	58052029	0	DECAL	
58052033	58052033	0	DECAL	
58052034	58052034	0	DECAL	
58052144	58052144	0	DECAL	
58052145	58052145	0	DECAL	
58052146	58052146	0	DECAL	
58052147	58052147	0	DECAL	
58052148	58052148	0	DECAL	
58052149	58052149	0	DECAL	
58052150	58052150	0	DECAL	
58052151	58052151	0	DECAL	
58052154	58052154	0	DECAL	
58052155	58052155	0	DECAL	

4

N

PERICOLO DI RIALZAMENTO  
DANGER OF CAPSIZING  
GEFAHR DES UMSCHLAGENS  
VEHRISCHLAGENSGEFAHR  
PELIGRO DE VUELCO

580.57722



580.57724



580.46909

3

N

2

N

1

580.57698

N



580.57712



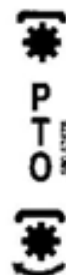
580.46902

**ATTENZIONE - ATTENTION  
ATENCIÓN**

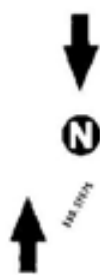
LA ZONA DEL TUBO DI SCARICO PUÒ SUPERARE 65 °C  
LA ZONE DU TUYAU D'ÉCHAPPEMENT PEUT DÉPASSER 65 °C  
LA ZONA DEL TUBO DE ESCAPE PUEDE SUPERAR 65 °C

580.46910

580.57698



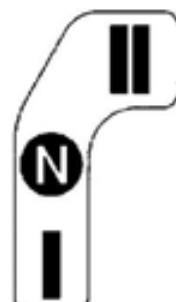
580.57678



580.57676 ★



580.46901



580.57732 ★

**FRIZIONE  
EMBRAYAGE  
EMBRAGUE**

580.46903



580.46912



580.46913

FERRARI

500 serie 95

ADESIVI

STICKERS  
ADHESIVOS

AUTOCOLLANTS  
AUFKLEBES

DALLA MACCHINA  
DE LA MAQUINA  
FROM THE MACHINE  
AB DER MASCHINE

★N

13 00

1/2000

Mod.

ZONE

Pos.	Code	Q.ty	Description	Notes
58046901	58046901	0	DECAL	
58046902	58046902	0	DECAL	
58046903	58046903	0	DECAL	
58046909	58046909	0	DECAL	
58046910	58046910	0	DECAL	
58046912	58046912	0	DECAL	
58046913	58046913	0	DECAL	
58057676	58057676	0	DECAL	
58057678	58057678	0	DECAL	
58057698	58057698	0	DECAL	
58057712	58057712	0	DECAL	
58057722	58057722	0	DECAL	
58057724	58057724	0	DECAL	
58057732	58057732	0	DECAL	





580.57698



580.46912



580.46913



580.57772 ★



580.57771 ★



580.57767 ★



580.57768 ★



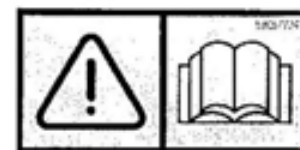
580.57678



580.57712



580.57676



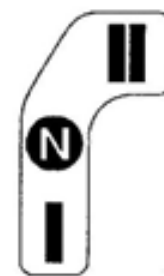
580.57724



580.57770 ★



580.57722



580.57732

FERRARI

500 serie 95

ADESIVI

STICKERS  
ADHESIVOS

AUTOCOLLANTS  
AUFKLEBES

DALLA MACCHINA  
DE LA MAQUINA  
DE LA MACHINE  
FROM THE MACHINE  
AB DER MASCHINE

AGGIORNAMENTO

REVISION

MISE A JOUR

APLAZAMIENTO

ANPASSUNG

13

12/2003

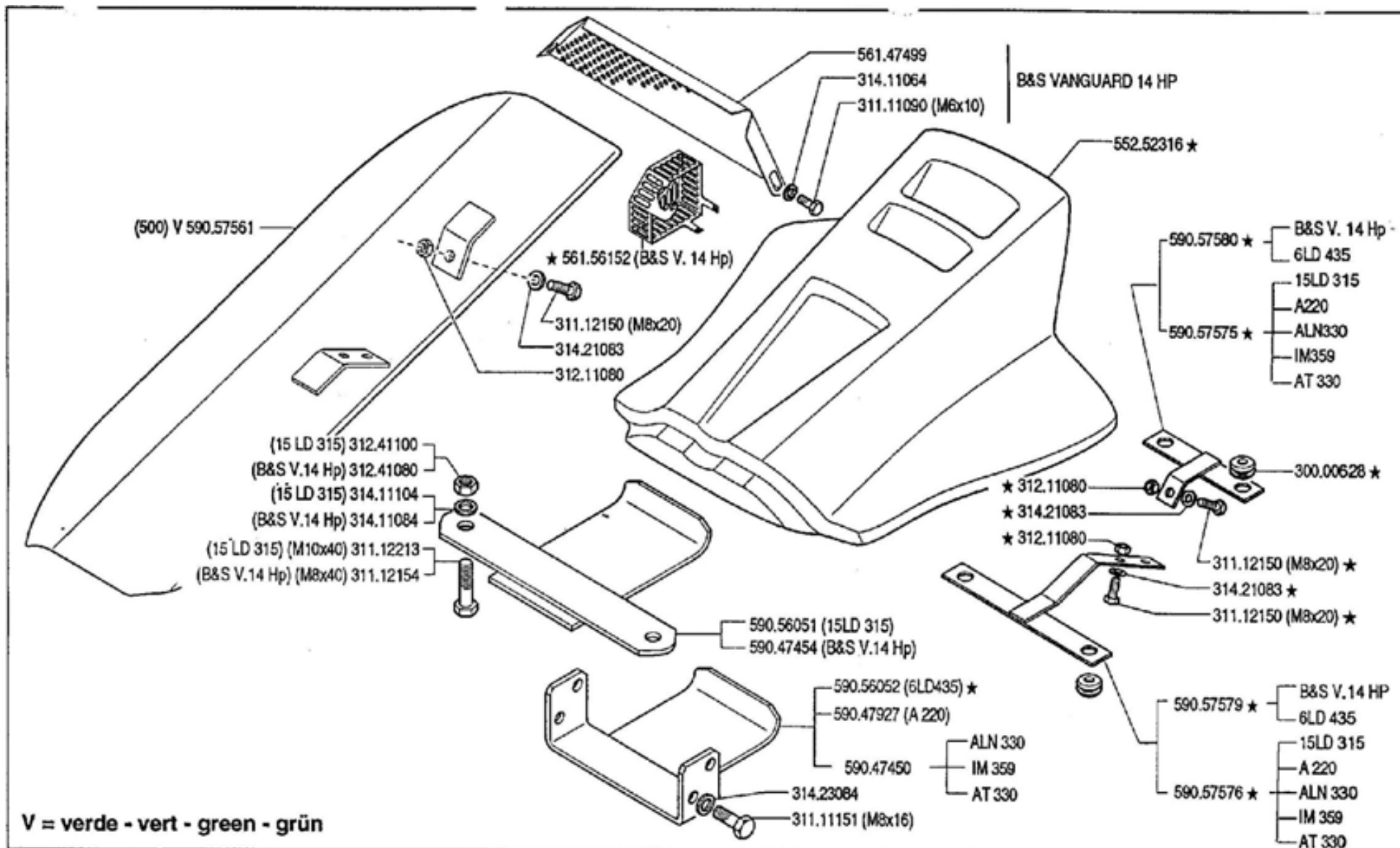
Rev.

1

★N

F004

Pos.	Code	Q.ty	Description	Notes
58046912	58046912	0	DECAL	
58046913	58046913	0	DECAL	
58057676	58057676	0	DECAL	
58057678	58057678	0	DECAL	
58057698	58057698	0	DECAL	
58057712	58057712	0	DECAL	
58057722	58057722	0	DECAL	
58057724	58057724	0	DECAL	
58057732	58057732	0	DECAL	
58057767	58057767	0	DECAL	
58057768	58057768	0	DECAL	
58057770	58057770	0	DECAL	
58057771	58057771	0	DECAL	
58057772	58057772	0	DECAL	



FERRARI

500 serie 95

CARROZZERIA (500 - 520 - 530)

CARROCERIA

BODY

CARROSSERIE

KAROSSERIE

DALLA MACCHINA  
DE LA MAQUINA  
DE LA MACHINE  
FROM THE MACHINE  
AB DER MASCHINE

\* N.

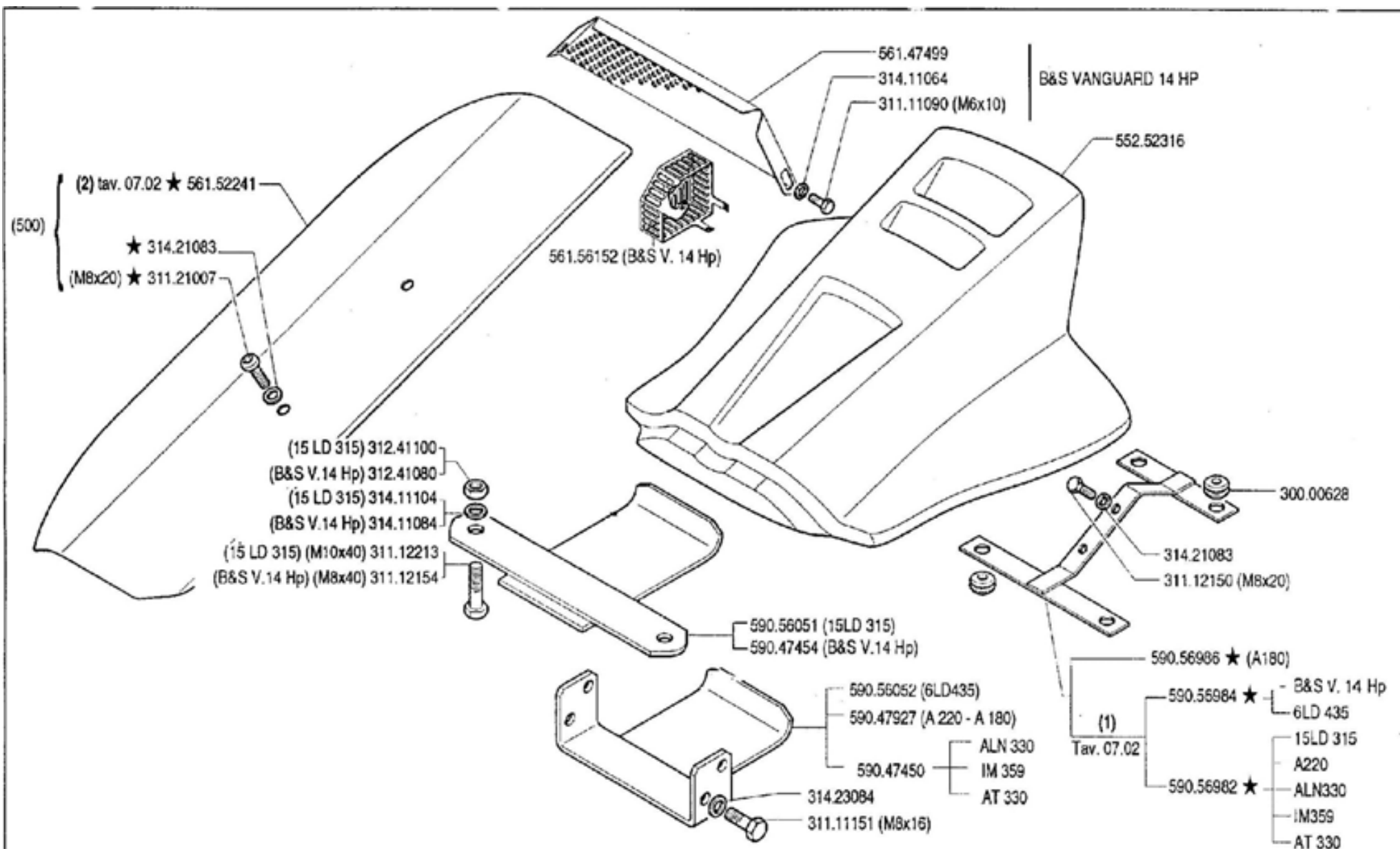
01.01

21631 (530)

155330 (520)

02.09.1996

Pos.	Code	Q.ty	Description	Notes
30000628	30000628	0	CABLE GLAND 90/200/30	
31111090	31111090	0	SCREW TE M5X10 UNI 5739 8G	
31111151	31111151	0	SCREW TE M8X16 UNI 5739 8G	
31112150	31112150	0	SCREW TE M8X20 UNI 5739 8G	
31112154	31112154	0	SCREW TE M8X40 UNI 5739 8G	
31112213	31112213	0	SCREW TE M10X40 UNI 5739	
31211080	31211080	0	NUT M8	
31241080	31241080	0	SELFLOCK NUT M8	
31241100	31241100	0	SELFLOCK NUT M10 6S	
31411064	31411064	0	WASHER 6,4x12,5	
31411084	31411084	0	WASHER 8,4x17	
31411104	31411104	0	WASHER 10,5x18	
31421083	31421083	0	WASHER	
31423084	31423084	0	SPRING WASHER 8,4	
55252316	55252316	0	BODYWORK	
56147499	56147499	0	GUARD	
56156152	56156152	0	GUARD	
59047450	59047450	0	SHIELD	
59047454	59047454	0	SHIELD	
59047927	59047927	0	SHIELD	
59056051	59056051	0	SHIELD	
59056052	59056052	0	SHIELD	
59057561	59057561	0	SHIELD	
59057575	59057575	0	HOLDER	
59057576	59057576	0	HOLDER	
59057579	59057579	0	HOLDER	
59057580	59057580	0	HOLDER	



<b>FERRARI</b>	<b>500</b> serie <b>95</b>	<b>CARROZZERIA (500 - 510 - 520 - 530)</b>		DALLA MACCHINA DE LA MAQUINA DE LA MACHINE FROM THE MACHINE AB DER MASCHINE		<b>01.02</b>
		CARROCERIA	BODY		22690 (530)	
		CARROSSERIE	KAROSSERIE		158833 (520)	
					★ (510)	
				★ N.	80952 (500)	9/1997

Pos.	Code	Q.ty	Description	Notes
30000628	30000628	0	CABLE GLAND 90/200/30	
31111090	31111090	0	SCREW TE M5X10 UNI 5739 8G	
31111151	31111151	0	SCREW TE M8X16 UNI 5739 8G	
31112150	31112150	0	SCREW TE M8X20 UNI 5739 8G	
31112154	31112154	0	SCREW TE M8X40 UNI 5739 8G	
31112213	31112213	0	SCREW TE M10X40 UNI 5739	
31121007	31121007	0	SCREW BCEI M8X20 ISO7380	
31241080	31241080	0	SELFLOCK NUT M8	
31241100	31241100	0	SELFLOCK NUT M10 6S	
31411064	31411064	0	WASHER 6,4x12,5	
31411084	31411084	0	WASHER 8,4x17	
31411104	31411104	0	WASHER 10,5x18	
31421083	31421083	0	WASHER	
31423084	31423084	0	SPRING WASHER 8,4	
55252316	55252316	0	BODYWORK	
56147499	56147499	0	GUARD	
56152241	56152241	0	CARROZZERIA MF LAT./97 *V*	
56156152	56156152	0	GUARD	
59047450	59047450	0	SHIELD	
59047454	59047454	0	SHIELD	
59047927	59047927	0	SHIELD	
59056051	59056051	0	SHIELD	
59056052	59056052	0	SHIELD	
59056982	59056982	0	HOLDER	
59056984	59056984	0	HOLDER	
59056986	59056986	0	HOLDER	

# SPARE PARTS INSTANCE INDEX





# SPARE PARTS INSTANCE INDEX

Code	Parts Table	Pos.	Q.ty	Code	Parts Table	Pos.	Q.ty	Code	Parts Table	Pos.	Q.ty
30000628	001_1_12621	30000628	0	31111097	008_4_13416	31111097	0	31112153	007_1_13140	31112153	0
	001_2_12649	30000628	0	31111151	001_1_12621	31111151	0		007_2_13157	31112153	0
30010120	007_2_13157	30010120	0		001_2_12649	31111151	0		007_3_13177	31112153	0
	007_3_13177	30010120	0		001_3_12676	31111151	0		008_0_13197	31112153	0
30010142	009_0_13470	30010142	0		001_4_12698	31111151	0		008_1_13255	31112153	0
	009_1_13502	30010142	0	31111165	008_0_13197	31111165	0		008_2_13308	31112153	0
30040001	003_0_12805	30040001	0	31111216	009_0_13470	31111216	0		008_3_13362	31112153	0
	003_1_12834	30040001	0		009_1_13502	31111216	0		008_4_13416	31112153	0
	003_2_12864	30040001	0	31111217	007_0_13116	31111217	0	31112154	001_1_12621	31112154	0
30040050	007_0_13116	30040050	0	31111229	007_0_13116	31111229	0		001_2_12649	31112154	0
	007_1_13140	30040050	0		007_1_13140	31111229	0		001_3_12676	31112154	0
31100003	002_2_12761	31100003	0		007_2_13157	31111229	0		001_4_12698	31112154	0
	002_3_12779	31100003	0		007_3_13177	31111229	0	31112211	004_0_12893	31112211	0
31100015	002_0_12722	31100015	0	31112089	008_0_13197	31112089	0		004_1_12930	31112211	0
	002_1_12741	31100015	0		008_1_13255	31112089	0		004_2_12967	31112211	0
	002_3_12779	31100015	0		008_2_13308	31112089	0		007_0_13116	31112211	0
31100786	002_0_12722	31100786	0		008_3_13362	31112089	0		007_1_13140	31112211	0
	002_1_12741	31100786	0		008_4_13416	31112089	0		007_2_13157	31112211	0
	002_2_12761	31100786	0	31112092	008_0_13197	31112092	0		007_3_13177	31112211	0
	002_3_12779	31100786	0		008_1_13255	31112092	0	31112213	001_1_12621	31112213	0
31111086	008_0_13197	31111086	0		008_2_13308	31112092	0		001_2_12649	31112213	0
	008_1_13255	31111086	0		008_3_13362	31112092	0		001_3_12676	31112213	0
	008_2_13308	31111086	0		008_4_13416	31112092	0		001_4_12698	31112213	0
	008_3_13362	31111086	0	31112147	005_2_13039	31112147	0	31112219	011_3_13744	31112219	0
	008_4_13416	31111086	0	31112149	011_3_13744	31112149	0	31112295	007_2_13157	31112295	0
31111090	001_1_12621	31111090	0	31112150	001_1_12621	31112150	0		007_3_13177	31112295	0
	001_2_12649	31111090	0		001_2_12649	31112150	0	31121007	001_2_12649	31121007	0
	003_0_12805	31111090	0		001_3_12676	31112150	0		001_3_12676	31121007	0
	003_1_12834	31111090	0		001_4_12698	31112150	0		001_4_12698	31121007	0
	003_2_12864	31111090	0	31112151	003_0_12805	31112151	0	31152103	003_0_12805	31152103	0
31111097	008_0_13197	31111097	0		003_1_12834	31112151	0		003_1_12834	31152103	0
	008_1_13255	31111097	0		003_2_12864	31112151	0		003_2_12864	31152103	0
	008_2_13308	31111097	0		011_3_13744	31112151	0	31211040	008_0_13197	31211040	0
	008_3_13362	31111097	0	31112153	007_0_13116	31112153	0		008_1_13255	31211040	0





## SPARE PARTS INSTANCE INDEX

Code	Parts Table	Pos.	Q.ty	Code	Parts Table	Pos.	Q.ty	Code	Parts Table	Pos.	Q.ty
31211040	008_2_13308	31211040	0	31241080	001_2_12649	31241080	0	31241120	011_3_13744	31241120	0
	008_3_13362	31211040	0		001_3_12676	31241080	0	31241121	007_2_13157	31241121	0
	008_4_13416	31211040	0		001_4_12698	31241080	0		007_3_13177	31241121	0
31211080	001_1_12621	31211080	0		003_0_12805	31241080	0	31312082	003_0_12805	31312082	0
	002_0_12722	31211080	0		003_1_12834	31241080	0		003_1_12834	31312082	0
	002_1_12741	31211080	0		003_2_12864	31241080	0		003_2_12864	31312082	0
	002_2_12761	31211080	0		007_0_13116	31241080	0		009_0_13470	31312082	0
	002_3_12779	31211080	0		007_1_13140	31241080	0		009_1_13502	31312082	0
	007_0_13116	31211080	0		007_2_13157	31241080	0		009_2_13534	31312082	0
	007_1_13140	31211080	0		007_3_13177	31241080	0		009_3_13564	31312082	0
	007_2_13157	31211080	0		011_3_13744	31241080	0		009_4_13594	31312082	0
	008_0_13197	31211080	0	31241085	003_0_12805	31241085	0	31312083	002_1_12741	31312083	0
	008_1_13255	31211080	0		003_1_12834	31241085	0		002_2_12761	31312083	0
	008_2_13308	31211080	0		003_2_12864	31241085	0		002_3_12779	31312083	0
	008_3_13362	31211080	0		007_0_13116	31241085	0	31312084	003_0_12805	31312084	0
	008_4_13416	31211080	0		009_0_13470	31241085	0		003_1_12834	31312084	0
31211100	005_0_13006	31211100	0		009_1_13502	31241085	0		003_2_12864	31312084	0
	005_1_13022	31211100	0		009_2_13534	31241085	0	31312085	003_1_12834	31312085	0
	005_2_13039	31211100	0		009_3_13564	31241085	0	31312088	002_0_12722	31312088	0
	011_3_13744	31211100	0		009_4_13594	31241085	0		002_1_12741	31312088	0
31221121	003_0_12805	31221121	0	31241100	001_1_12621	31241100	0		002_2_12761	31312088	0
	003_1_12834	31221121	0		001_2_12649	31241100	0		002_3_12779	31312088	0
	003_2_12864	31221121	0		001_3_12676	31241100	0	31312094	003_0_12805	31312094	0
31241060	008_0_13197	31241060	0		001_4_12698	31241100	0		003_1_12834	31312094	0
	008_1_13255	31241060	0		007_0_13116	31241100	0		003_2_12864	31312094	0
	008_2_13308	31241060	0		007_1_13140	31241100	0	31312102	005_0_13006	31312102	0
	008_3_13362	31241060	0		007_2_13157	31241100	0		005_1_13022	31312102	0
	008_4_13416	31241060	0		007_3_13177	31241100	0		005_2_13039	31312102	0
31241061	008_0_13197	31241061	0		009_0_13470	31241100	0	31312103	011_3_13744	31312103	0
	008_1_13255	31241061	0		009_1_13502	31241100	0	31312124	003_0_12805	31312124	0
	008_2_13308	31241061	0		011_3_13744	31241100	0		003_1_12834	31312124	0
	008_3_13362	31241061	0	31241120	005_0_13006	31241120	0		003_2_12864	31312124	0
	008_4_13416	31241061	0		005_1_13022	31241120	0	31312125	003_0_12805	31312125	0
31241080	001_1_12621	31241080	0		005_2_13039	31241120	0		003_1_12834	31312125	0



## SPARE PARTS INSTANCE INDEX

Code	Parts Table	Pos.	Q.ty	Code	Parts Table	Pos.	Q.ty	Code	Parts Table	Pos.	Q.ty
31312125	003_2_12864	31312125	0	31421083	001_3_12676	31421083	0	31423084	002_3_12779	31423084	0
31411043	008_0_13197	31411043	0		001_4_12698	31421083	0		003_0_12805	31423084	0
	008_1_13255	31411043	0		003_0_12805	31421083	0		003_1_12834	31423084	0
	008_2_13308	31411043	0		003_1_12834	31421083	0		003_2_12864	31423084	0
	008_3_13362	31411043	0		003_2_12864	31421083	0		007_0_13116	31423084	0
	008_4_13416	31411043	0		009_0_13470	31421083	0		007_1_13140	31423084	0
31411064	001_1_12621	31411064	0		009_1_13502	31421083	0		007_2_13157	31423084	0
	001_2_12649	31411064	0		009_2_13534	31421083	0		007_3_13177	31423084	0
	008_1_13255	31411064	0		009_3_13564	31421083	0		008_0_13197	31423084	0
	008_2_13308	31411064	0		009_4_13594	31421083	0		008_1_13255	31423084	0
	008_3_13362	31411064	0	31421101	004_0_12893	31421101	0		008_2_13308	31423084	0
	008_4_13416	31411064	0		004_1_12930	31421101	0		008_3_13362	31423084	0
31411084	001_1_12621	31411084	0		004_2_12967	31421101	0		008_4_13416	31423084	0
	001_2_12649	31411084	0		011_3_13744	31421101	0		011_3_13744	31423084	0
	001_3_12676	31411084	0	31421130	005_0_13006	31421130	0	31423105	002_0_12722	31423105	0
	001_4_12698	31411084	0		005_1_13022	31421130	0		002_1_12741	31423105	0
	008_0_13197	31411084	0		005_2_13039	31421130	0		002_3_12779	31423105	0
	008_1_13255	31411084	0	31421132	003_1_12834	31421132	0		005_0_13006	31423105	0
	008_2_13308	31411084	0		003_2_12864	31421132	0		005_1_13022	31423105	0
	008_3_13362	31411084	0	31422064	003_0_12805	31422064	0		005_2_13039	31423105	0
	008_4_13416	31411084	0		003_1_12834	31422064	0		009_0_13470	31423105	0
31411104	001_1_12621	31411104	0		003_2_12864	31422064	0		009_1_13502	31423105	0
	001_2_12649	31411104	0	31423043	008_0_13197	31423043	0		011_3_13744	31423105	0
	001_3_12676	31411104	0		008_1_13255	31423043	0	31423130	003_0_12805	31423130	0
	001_4_12698	31411104	0		008_2_13308	31423043	0		007_2_13157	31423130	0
	009_0_13470	31411104	0		008_3_13362	31423043	0		007_3_13177	31423130	0
	009_1_13502	31411104	0		008_4_13416	31423043	0		011_3_13744	31423130	0
	009_2_13534	31411104	0	31423084	001_1_12621	31423084	0	31424084	005_2_13039	31424084	0
	009_3_13564	31411104	0		001_2_12649	31423084	0	34110020	008_3_13362	34110020	0
	009_4_13594	31411104	0		001_3_12676	31423084	0		008_4_13416	34110020	0
31411105	009_0_13470	31411105	0		001_4_12698	31423084	0	34110028	009_0_13470	34110028	0
	009_1_13502	31411105	0		002_0_12722	31423084	0		009_1_13502	34110028	0
31421083	001_1_12621	31421083	0		002_1_12741	31423084	0		009_2_13534	34110028	0
	001_2_12649	31421083	0		002_2_12761	31423084	0		009_3_13564	34110028	0



## SPARE PARTS INSTANCE INDEX

Code	Parts Table	Pos.	Q.ty	Code	Parts Table	Pos.	Q.ty	Code	Parts Table	Pos.	Q.ty
34110028	009_4_13594	34110028	0	35111055	004_0_12893	35111055	0	37320120	004_1_12930	37320120	0
34211029	009_0_13470	34211029	0		004_1_12930	35111055	0		004_2_12967	37320120	0
	009_1_13502	34211029	0		004_2_12967	35111055	0	37910832	004_0_12893	37910832	0
	009_2_13534	34211029	0	35121031	004_0_12893	35121031	0		004_1_12930	37910832	0
	009_3_13564	34211029	0		004_1_12930	35121031	0		004_2_12967	37910832	0
	009_4_13594	34211029	0		004_2_12967	35121031	0	37911532	009_0_13470	37911532	0
34211042	004_0_12893	34211042	0	35211120	004_0_12893	35211120	0		009_1_13502	37911532	0
	004_1_12930	34211042	0		004_1_12930	35211120	0		009_2_13534	37911532	0
	004_2_12967	34211042	0		004_2_12967	35211120	0		009_3_13564	37911532	0
34213020	008_0_13197	34213020	0	37111150	004_0_12893	37111150	0		009_4_13594	37911532	0
	008_1_13255	34213020	0		004_1_12930	37111150	0	38211400	009_0_13470	38211400	0
	008_2_13308	34213020	0		004_2_12967	37111150	0		009_1_13502	38211400	0
	008_3_13362	34213020	0	37111152	004_0_12893	37111152	0		009_2_13534	38211400	0
	008_4_13416	34213020	0		004_1_12930	37111152	0		009_3_13564	38211400	0
	009_0_13470	34213020	0		004_2_12967	37111152	0		009_4_13594	38211400	0
	009_1_13502	34213020	0	37111250	004_0_12893	37111250	0	38211500	003_0_12805	38211500	0
	009_2_13534	34213020	0		004_1_12930	37111250	0		003_1_12834	38211500	0
	009_3_13564	34213020	0		004_2_12967	37111250	0		003_2_12864	38211500	0
	009_4_13594	34213020	0		005_0_13006	37111250	0	38212501	005_0_13006	38212501	0
34213060	004_0_12893	34213060	0		005_1_13022	37111250	0		005_1_13022	38212501	0
	004_1_12930	34213060	0		005_2_13039	37111250	0		005_2_13039	38212501	0
	004_2_12967	34213060	0	37112173	002_0_12722	37112173	0	38213800	004_0_12893	38213800	0
34213061	004_0_12893	34213061	0		002_1_12741	37112173	0		004_1_12930	38213800	0
	004_1_12930	34213061	0		002_2_12761	37112173	0		004_2_12967	38213800	0
	004_2_12967	34213061	0		002_3_12779	37112173	0	39113501	011_3_13744	39113501	0
34311060	005_0_13006	34311060	0	37112229	004_0_12893	37112229	0	39113502	011_3_13744	39113502	0
	005_1_13022	34311060	0		004_1_12930	37112229	0	39114008	011_3_13744	39114008	0
	005_2_13039	34311060	0		004_2_12967	37112229	0	39114010	011_3_13744	39114010	0
35111052	005_0_13006	35111052	0	37112231	002_2_12761	37112231	0	39115010	011_3_13744	39115010	0
	005_1_13022	35111052	0		002_3_12779	37112231	0	39413502	011_3_13744	39413502	0
	005_2_13039	35111052	0	37112233	002_0_12722	37112233	0	39414008	011_3_13744	39414008	0
35111053	004_0_12893	35111053	0		002_1_12741	37112233	0	39414010	011_3_13744	39414010	0
	004_1_12930	35111053	0		002_3_12779	37112233	0	39415010	011_3_13744	39415010	0
	004_2_12967	35111053	0	37320120	004_0_12893	37320120	0	50947833	002_0_12722	50947833	0



## SPARE PARTS INSTANCE INDEX

Code	Parts Table	Pos.	Q.ty	Code	Parts Table	Pos.	Q.ty	Code	Parts Table	Pos.	Q.ty
50947833	002_1_12741	50947833	0	52456389	004_1_12930	52456389	0	55102714	007_0_13116	55102714	0
	002_2_12761	50947833	0		004_2_12967	52456389	0		007_1_13140	55102714	0
	002_3_12779	50947833	0	52456390	004_0_12893	52456390	0		007_2_13157	55102714	0
52357250	009_0_13470	52357250	0		004_1_12930	52456390	0		007_3_13177	55102714	0
	009_1_13502	52357250	0		004_2_12967	52456390	0	55142076	009_0_13470	55142076	0
	009_2_13534	52357250	0	53143712	011_3_13744	53143712	0		009_1_13502	55142076	0
	009_3_13564	52357250	0	53143875	003_0_12805	53143875	0		009_2_13534	55142076	0
	009_4_13594	52357250	0	53143879	003_0_12805	53143879	0		009_3_13564	55142076	0
52447896	002_0_12722	52447896	0	53147482	002_0_12722	53147482	0		009_4_13594	55142076	0
	002_1_12741	52447896	0		002_1_12741	53147482	0	55147842	002_0_12722	55147842	0
	002_2_12761	52447896	0	53152401	003_1_12834	53152401	0		002_1_12741	55147842	0
	002_3_12779	52447896	0		003_2_12864	53152401	0		002_2_12761	55147842	0
52456336	004_0_12893	52456336	0	53152402	003_1_12834	53152402	0		002_3_12779	55147842	0
	004_1_12930	52456336	0		003_2_12864	53152402	0	55220363	007_0_13116	55220363	0
	004_2_12967	52456336	0	53152411	003_1_12834	53152411	0		007_1_13140	55220363	0
52456340	004_0_12893	52456340	0		003_2_12864	53152411	0		007_2_13157	55220363	0
	004_1_12930	52456340	0	53152412	003_1_12834	53152412	0		007_3_13177	55220363	0
	004_2_12967	52456340	0		003_2_12864	53152412	0	55242528	009_0_13470	55242528	0
52456344	004_0_12893	52456344	0	53156150	002_3_12779	53156150	0		009_1_13502	55242528	0
	004_1_12930	52456344	0	53156326	003_0_12805	53156326	0		009_2_13534	55242528	0
52456349	004_2_12967	52456349	0	53156327	003_0_12805	53156327	0		009_3_13564	55242528	0
52456354	004_0_12893	52456354	0		003_1_12834	53156327	0		009_4_13594	55242528	0
	004_1_12930	52456354	0		003_2_12864	53156327	0	55243340	007_0_13116	55243340	0
	004_2_12967	52456354	0	53156332	003_0_12805	53156332	0		007_1_13140	55243340	0
52456359	004_0_12893	52456359	0	53247468	002_2_12761	53247468	0		007_2_13157	55243340	0
52456360	004_1_12930	52456360	0	53247488	002_3_12779	53247488	0		007_3_13177	55243340	0
	004_2_12967	52456360	0	54143090	005_1_13022	54143090	0		008_0_13197	55243340	0
52456362	004_0_12893	52456362	0		005_2_13039	54143090	0	55243592	005_0_13006	55243592	0
	004_1_12930	52456362	0	54143149	005_0_13006	54143149	0		005_1_13022	55243592	0
	004_2_12967	52456362	0		005_1_13022	54143149	0		005_2_13039	55243592	0
52456370	004_0_12893	52456370	0		005_2_13039	54143149	0	55248038	008_0_13197	55248038	0
	004_1_12930	52456370	0	55102678	003_0_12805	55102678	0		008_1_13255	55248038	0
	004_2_12967	52456370	0		003_1_12834	55102678	0		008_2_13308	55248038	0
52456389	004_0_12893	52456389	0		003_2_12864	55102678	0		008_3_13362	55248038	0



## SPARE PARTS INSTANCE INDEX

Code	Parts Table	Pos.	Q.ty	Code	Parts Table	Pos.	Q.ty	Code	Parts Table	Pos.	Q.ty
55248038	008_4_13416	55248038	0	56147655	008_0_13197	56147655	0	56149655	009_1_13502	56149655	0
55248041	008_0_13197	55248041	0		008_1_13255	56147655	0		009_2_13534	56149655	0
	008_1_13255	55248041	0		008_2_13308	56147655	0		009_3_13564	56149655	0
	008_2_13308	55248041	0		008_3_13362	56147655	0		009_4_13594	56149655	0
	008_3_13362	55248041	0		008_4_13416	56147655	0	56150361	008_0_13197	56150361	0
	008_4_13416	55248041	0	56147711	008_0_13197	56147711	0		008_1_13255	56150361	0
55248283	008_0_13197	55248283	0		008_1_13255	56147711	0		008_2_13308	56150361	0
	008_1_13255	55248283	0		008_2_13308	56147711	0		008_3_13362	56150361	0
	008_2_13308	55248283	0		008_3_13362	56147711	0		008_4_13416	56150361	0
	008_3_13362	55248283	0		008_4_13416	56147711	0	56152241	001_2_12649	56152241	0
	008_4_13416	55248283	0	56147845	002_0_12722	56147845	0		001_3_12676	56152241	0
55248284	008_0_13197	55248284	0		002_1_12741	56147845	0		001_4_12698	56152241	0
	008_1_13255	55248284	0		002_2_12761	56147845	0	56152300	007_0_13116	56152300	0
	008_2_13308	55248284	0		002_3_12779	56147845	0	56152314	009_0_13470	56152314	0
	008_3_13362	55248284	0	56147923	003_0_12805	56147923	0	56152403	003_1_12834	56152403	0
	008_4_13416	55248284	0		003_1_12834	56147923	0		003_2_12864	56152403	0
55252316	001_1_12621	55252316	0		003_2_12864	56147923	0	56156119	001_4_12698	56156119	0
	001_2_12649	55252316	0	56148037	008_0_13197	56148037	0	56156152	001_1_12621	56156152	0
	001_3_12676	55252316	0		008_1_13255	56148037	0		001_2_12649	56156152	0
	001_4_12698	55252316	0		008_2_13308	56148037	0	56156487	005_2_13039	56156487	0
56120364	007_0_13116	56120364	0		008_3_13362	56148037	0	56156488	005_2_13039	56156488	0
	007_1_13140	56120364	0		008_4_13416	56148037	0	56156940	007_0_13116	56156940	0
	007_2_13157	56120364	0	56148285	008_0_13197	56148285	0		007_1_13140	56156940	0
	007_3_13177	56120364	0		008_1_13255	56148285	0		007_2_13157	56156940	0
56142314	005_0_13006	56142314	0		008_2_13308	56148285	0		007_3_13177	56156940	0
	005_1_13022	56142314	0		008_3_13362	56148285	0	56156948	007_3_13177	56156948	0
	005_2_13039	56142314	0		008_4_13416	56148285	0	56157235	009_0_13470	56157235	0
56143059	005_0_13006	56143059	0	56148286	008_0_13197	56148286	0		009_1_13502	56157235	0
	005_1_13022	56143059	0	56148287	008_0_13197	56148287	0		009_2_13534	56157235	0
	005_2_13039	56143059	0		008_1_13255	56148287	0		009_3_13564	56157235	0
56143360	009_0_13470	56143360	0		008_2_13308	56148287	0		009_4_13594	56157235	0
56147499	001_1_12621	56147499	0		008_3_13362	56148287	0	56157244	009_0_13470	56157244	0
	001_2_12649	56147499	0		008_4_13416	56148287	0		009_1_13502	56157244	0
56147520	003_0_12805	56147520	0	56149655	009_0_13470	56149655	0		009_2_13534	56157244	0



## SPARE PARTS INSTANCE INDEX

Code	Parts Table	Pos.	Q.ty	Code	Parts Table	Pos.	Q.ty	Code	Parts Table	Pos.	Q.ty
56157244	009_3_13564	56157244	0	56356328	004_2_12967	56356328	0	58026222	008_1_13255	58026222	0
	009_4_13594	56157244	0	56356329	004_0_12893	56356329	0		008_2_13308	58026222	0
56157246	009_0_13470	56157246	0		004_1_12930	56356329	0		008_3_13362	58026222	0
	009_1_13502	56157246	0		004_2_12967	56356329	0		008_4_13416	58026222	0
	009_2_13534	56157246	0	56356330	004_0_12893	56356330	0	58026224	008_0_13197	58026224	0
	009_3_13564	56157246	0		004_1_12930	56356330	0	58042167	008_0_13197	58042167	0
	009_4_13594	56157246	0		004_2_12967	56356330	0		008_1_13255	58042167	0
56157256	009_0_13470	56157256	0	56356331	004_0_12893	56356331	0		008_2_13308	58042167	0
	009_1_13502	56157256	0		004_1_12930	56356331	0		008_3_13362	58042167	0
	009_2_13534	56157256	0		004_2_12967	56356331	0		008_4_13416	58042167	0
	009_3_13564	56157256	0	56356348	004_2_12967	56356348	0	58042202	008_0_13197	58042202	0
	009_4_13594	56157256	0	56359553	011_3_13744	56359553	0		008_1_13255	58042202	0
56157307	009_2_13534	56157307	0	56359554	011_3_13744	56359554	0		008_2_13308	58042202	0
	009_3_13564	56157307	0	56456347	004_0_12893	56456347	0		008_3_13362	58042202	0
	009_4_13594	56157307	0		004_1_12930	56456347	0		008_4_13416	58042202	0
56157332	008_1_13255	56157332	0		004_2_12967	56456347	0	58043053	003_0_12805	58043053	0
	008_2_13308	56157332	0	56456351	004_0_12893	56456351	0		003_1_12834	58043053	0
	008_3_13362	56157332	0		004_1_12930	56456351	0		003_2_12864	58043053	0
	008_4_13416	56157332	0		004_2_12967	56456351	0	58043086	004_0_12893	58043086	0
56157353	009_4_13594	56157353	0	56456477	004_2_12967	56456477	0		004_1_12930	58043086	0
56343058	005_0_13006	56343058	0	56456478	004_0_12893	56456478	0		004_2_12967	58043086	0
	005_1_13022	56343058	0		004_1_12930	56456478	0	58043117	003_0_12805	58043117	0
	005_2_13039	56343058	0		004_2_12967	56456478	0		003_1_12834	58043117	0
56347484	002_0_12722	56347484	0	58002429	008_0_13197	58002429	0		003_2_12864	58043117	0
	002_1_12741	56347484	0		008_1_13255	58002429	0	58043176	009_0_13470	58043176	0
	002_3_12779	56347484	0		008_2_13308	58002429	0		009_1_13502	58043176	0
56349782	002_0_12722	56349782	0		008_3_13362	58002429	0		009_2_13534	58043176	0
	002_1_12741	56349782	0		008_4_13416	58002429	0		009_3_13564	58043176	0
	002_3_12779	56349782	0	58002538	008_0_13197	58002538	0		009_4_13594	58043176	0
56356165	002_3_12779	56356165	0		008_1_13255	58002538	0	58043223	008_0_13197	58043223	0
56356251	002_2_12761	56356251	0		008_2_13308	58002538	0		008_1_13255	58043223	0
	002_3_12779	56356251	0		008_3_13362	58002538	0		008_2_13308	58043223	0
56356328	004_0_12893	56356328	0		008_4_13416	58002538	0		008_3_13362	58043223	0
	004_1_12930	56356328	0	58026222	008_0_13197	58026222	0		008_4_13416	58043223	0



# SPARE PARTS INSTANCE INDEX

Code	Parts Table	Pos.	Q.ty	Code	Parts Table	Pos.	Q.ty	Code	Parts Table	Pos.	Q.ty
58043242	008_0_13197	58043242	0	58048005	008_3_13362	58048005	0	58052023	012_1_13807	58052023	0
58043253	008_0_13197	58043253	0		008_4_13416	58048005	0		012_2_13824	58052023	0
58043391	008_0_13197	58043391	0	58048009	008_0_13197	58048009	0	58052024	012_0_13785	58052024	0
58046901	012_0_13785	58046901	0		008_1_13255	58048009	0		012_1_13807	58052024	0
	013_0_13845	58046901	0		008_2_13308	58048009	0		012_2_13824	58052024	0
58046902	012_0_13785	58046902	0		008_3_13362	58048009	0	58052029	012_1_13807	58052029	0
	013_0_13845	58046902	0		008_4_13416	58048009	0		012_2_13824	58052029	0
58046903	012_0_13785	58046903	0	58048025	008_0_13197	58048025	0	58052033	012_0_13785	58052033	0
	013_0_13845	58046903	0	58048301	008_0_13197	58048301	0		012_1_13807	58052033	0
58046909	012_0_13785	58046909	0	58050345	008_0_13197	58050345	0		012_2_13824	58052033	0
	013_0_13845	58046909	0		008_1_13255	58050345	0	58052034	012_0_13785	58052034	0
58046910	012_0_13785	58046910	0		008_2_13308	58050345	0		012_1_13807	58052034	0
	013_0_13845	58046910	0		008_3_13362	58050345	0		012_2_13824	58052034	0
58046912	012_0_13785	58046912	0	58051670	008_0_13197	58051670	0	58052144	012_1_13807	58052144	0
	013_0_13845	58046912	0		008_1_13255	58051670	0		012_2_13824	58052144	0
	013_1_13860	58046912	0		008_2_13308	58051670	0	58052145	012_1_13807	58052145	0
58046913	012_0_13785	58046913	0		008_3_13362	58051670	0		012_2_13824	58052145	0
	013_0_13845	58046913	0		008_4_13416	58051670	0	58052146	012_1_13807	58052146	0
	013_1_13860	58046913	0	58052018	012_0_13785	58052018	0		012_2_13824	58052146	0
58047712	008_0_13197	58047712	0		012_1_13807	58052018	0	58052147	012_1_13807	58052147	0
	008_1_13255	58047712	0		012_2_13824	58052018	0		012_2_13824	58052147	0
	008_2_13308	58047712	0	58052019	012_0_13785	58052019	0	58052148	012_1_13807	58052148	0
	008_3_13362	58047712	0		012_1_13807	58052019	0		012_2_13824	58052148	0
	008_4_13416	58047712	0		012_2_13824	58052019	0	58052149	012_1_13807	58052149	0
58048000	008_0_13197	58048000	0	58052020	012_0_13785	58052020	0		012_2_13824	58052149	0
	008_1_13255	58048000	0		012_1_13807	58052020	0	58052150	012_2_13824	58052150	0
	008_2_13308	58048000	0		012_2_13824	58052020	0	58052151	012_2_13824	58052151	0
	008_3_13362	58048000	0	58052021	012_0_13785	58052021	0	58052154	012_2_13824	58052154	0
	008_4_13416	58048000	0		012_1_13807	58052021	0	58052155	012_2_13824	58052155	0
58048002	008_0_13197	58048002	0		012_2_13824	58052021	0	58052274	011_3_13744	58052274	0
	008_1_13255	58048002	0	58052022	012_0_13785	58052022	0	58052301	008_0_13197	58052301	0
	008_2_13308	58048002	0		012_1_13807	58052022	0	58052304	008_0_13197	58052304	0
58048005	008_1_13255	58048005	0		012_2_13824	58052022	0		008_1_13255	58052304	0
	008_2_13308	58048005	0	58052023	012_0_13785	58052023	0		008_2_13308	58052304	0



## SPARE PARTS INSTANCE INDEX

Code	Parts Table	Pos.	Q.ty	Code	Parts Table	Pos.	Q.ty	Code	Parts Table	Pos.	Q.ty
58052304	008_3_13362	58052304	0	58057294	008_1_13255	58057294	0	58057698	009_2_13534	58057698	0
58052309	007_0_13116	58052309	0		008_2_13308	58057294	0		009_3_13564	58057698	0
58052325	011_3_13744	58052325	0		008_3_13362	58057294	0		012_0_13785	58057698	0
58052326	011_3_13744	58052326	0		008_4_13416	58057294	0		013_0_13845	58057698	0
58052327	011_3_13744	58052327	0	58057295	008_0_13197	58057295	0		013_1_13860	58057698	0
58056391	004_0_12893	58056391	0		008_1_13255	58057295	0	58057712	012_0_13785	58057712	0
	004_1_12930	58056391	0		008_2_13308	58057295	0		013_0_13845	58057712	0
	004_2_12967	58056391	0		008_3_13362	58057295	0		013_1_13860	58057712	0
58056593	008_4_13416	58056593	0		008_4_13416	58057295	0	58057714	009_1_13502	58057714	0
58056942	007_0_13116	58056942	0	58057302	008_0_13197	58057302	0		009_2_13534	58057714	0
	007_1_13140	58056942	0		008_1_13255	58057302	0		009_3_13564	58057714	0
	007_2_13157	58056942	0		008_2_13308	58057302	0	58057722	012_0_13785	58057722	0
	007_3_13177	58056942	0		008_3_13362	58057302	0		013_0_13845	58057722	0
58056991	001_3_12676	58056991	0		008_4_13416	58057302	0		013_1_13860	58057722	0
	001_4_12698	58056991	0	58057306	008_1_13255	58057306	0	58057724	012_0_13785	58057724	0
58057247	009_0_13470	58057247	0		008_2_13308	58057306	0		013_0_13845	58057724	0
	009_1_13502	58057247	0		008_3_13362	58057306	0		013_1_13860	58057724	0
	009_2_13534	58057247	0		008_4_13416	58057306	0	58057732	013_0_13845	58057732	0
	009_3_13564	58057247	0	58057333	008_1_13255	58057333	0		013_1_13860	58057732	0
	009_4_13594	58057247	0		008_2_13308	58057333	0	58057767	013_1_13860	58057767	0
58057263	008_0_13197	58057263	0		008_3_13362	58057333	0	58057768	013_1_13860	58057768	0
	008_1_13255	58057263	0		008_4_13416	58057333	0	58057770	013_1_13860	58057770	0
	008_2_13308	58057263	0	58057334	008_1_13255	58057334	0	58057771	013_1_13860	58057771	0
	008_3_13362	58057263	0		008_2_13308	58057334	0	58057772	013_1_13860	58057772	0
	008_4_13416	58057263	0		008_3_13362	58057334	0	58150313	008_0_13197	58150313	0
58057288	008_0_13197	58057288	0		008_4_13416	58057334	0		008_1_13255	58150313	0
58057289	008_0_13197	58057289	0	58057385	001_4_12698	58057385	0		008_2_13308	58150313	0
	008_1_13255	58057289	0	58057402	008_4_13416	58057402	0		008_3_13362	58150313	0
	008_2_13308	58057289	0	58057676	013_0_13845	58057676	0		008_4_13416	58150313	0
	008_3_13362	58057289	0		013_1_13860	58057676	0	58157346	008_3_13362	58157346	0
	008_4_13416	58057289	0	58057678	012_0_13785	58057678	0		008_4_13416	58157346	0
58057292	008_0_13197	58057292	0		013_0_13845	58057678	0	59015425	003_0_12805	59015425	0
58057293	008_1_13255	58057293	0		013_1_13860	58057678	0		003_1_12834	59015425	0
	008_2_13308	58057293	0	58057698	009_1_13502	58057698	0		003_2_12864	59015425	0





## SPARE PARTS INSTANCE INDEX

Code	Parts Table	Pos.	Q.ty	Code	Parts Table	Pos.	Q.ty	Code	Parts Table	Pos.	Q.ty
59043063	005_0_13006	59043063	0	59056365	004_0_12893	59056365	0	59057077	008_3_13362	59057077	0
	005_1_13022	59043063	0		004_1_12930	59056365	0		008_4_13416	59057077	0
	005_2_13039	59043063	0		004_2_12967	59056365	0	59057240	009_0_13470	59057240	0
59047450	001_1_12621	59047450	0	59056383	004_1_12930	59056383	0		009_1_13502	59057240	0
	001_2_12649	59047450	0		004_2_12967	59056383	0		009_2_13534	59057240	0
	001_3_12676	59047450	0	59056385	004_0_12893	59056385	0		009_3_13564	59057240	0
	001_4_12698	59047450	0	59056925	007_0_13116	59056925	0		009_4_13594	59057240	0
59047454	001_1_12621	59047454	0		007_1_13140	59056925	0	59057252	009_0_13470	59057252	0
	001_2_12649	59047454	0	59056935	007_0_13116	59056935	0		009_1_13502	59057252	0
	001_3_12676	59047454	0		007_1_13140	59056935	0		009_2_13534	59057252	0
59047709	008_0_13197	59047709	0		007_2_13157	59056935	0		009_3_13564	59057252	0
	008_1_13255	59047709	0		007_3_13177	59056935	0		009_4_13594	59057252	0
	008_2_13308	59047709	0	59056945	009_0_13470	59056945	0	59057270	009_1_13502	59057270	0
	008_3_13362	59047709	0		009_1_13502	59056945	0		009_2_13534	59057270	0
	008_4_13416	59047709	0	59056975	009_2_13534	59056975	0		009_3_13564	59057270	0
59047743	011_3_13744	59047743	0		009_3_13564	59056975	0		009_4_13594	59057270	0
59047745	011_3_13744	59047745	0		009_4_13594	59056975	0	59057308	009_2_13534	59057308	0
59047927	001_1_12621	59047927	0	59056980	007_2_13157	59056980	0		009_3_13564	59057308	0
	001_2_12649	59047927	0		007_3_13177	59056980	0		009_4_13594	59057308	0
	001_3_12676	59047927	0	59056982	001_2_12649	59056982	0	59057309	009_2_13534	59057309	0
	001_4_12698	59047927	0		001_3_12676	59056982	0		009_3_13564	59057309	0
59048522	009_0_13470	59048522	0		001_4_12698	59056982	0		009_4_13594	59057309	0
	009_1_13502	59048522	0	59056984	001_2_12649	59056984	0	59057561	001_1_12621	59057561	0
59052204	008_0_13197	59052204	0	59056986	001_2_12649	59056986	0	59057575	001_1_12621	59057575	0
59056051	001_1_12621	59056051	0		001_4_12698	59056986	0	59057576	001_1_12621	59057576	0
	001_2_12649	59056051	0	59056989	009_2_13534	59056989	0	59057579	001_1_12621	59057579	0
	001_3_12676	59056051	0		009_3_13564	59056989	0	59057580	001_1_12621	59057580	0
	001_4_12698	59056051	0		009_4_13594	59056989	0	59059551	011_3_13744	59059551	0
59056052	001_1_12621	59056052	0	59057075	008_0_13197	59057075	0	59059561	011_3_13744	59059561	0
	001_2_12649	59056052	0	59057076	008_2_13308	59057076	0	59059571	011_3_13744	59059571	0
59056089	001_3_12676	59056089	0		008_3_13362	59057076	0	59247884	002_0_12722	59247884	0
	001_4_12698	59056089	0		008_4_13416	59057076	0		002_1_12741	59247884	0
59056111	001_3_12676	59056111	0	59057077	008_1_13255	59057077	0		002_2_12761	59247884	0
	001_4_12698	59056111	0		008_2_13308	59057077	0		002_3_12779	59247884	0



## SPARE PARTS INSTANCE INDEX

Code	Parts Table	Pos.	Q.ty
59247970	002_0_12722	59247970	0
	002_1_12741	59247970	0
59247971	002_0_12722	59247971	0
	002_1_12741	59247971	0
	002_2_12761	59247971	0
	002_3_12779	59247971	0
59256252	002_2_12761	59256252	0
59256257	002_3_12779	59256257	0
59256265	002_3_12779	59256265	0
59259555	011_3_13744	59259555	0
59259563	011_3_13744	59259563	0
59259567	011_3_13744	59259567	0
59259578	011_3_13744	59259578	0
59259580	011_3_13744	59259580	0
862791000	007_0_13116	86279100	0
92243685	011_3_13744	92243685	0
92457794	011_3_13744	92457794	0
F0305017160	009_0_13470	F0305017	0
F0843818000	007_0_13116	F0843818	0
F0862791000	007_0_13116	F0862791	0